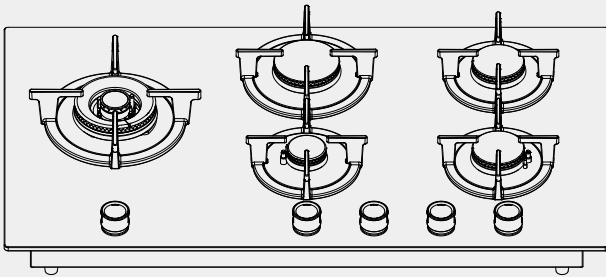


ROBAM



User Manual

If the manual is lost, you can send e-mail to overseas@robam.com, request for an electronic manual.

JZT-9B7H50
JZY-9B7H50

JZT-9B7H31F
JZY-9B7H31F

JZT-7B7H32
JZY-7B7H32

Gas Hob

Contents

Important Safety Information	1
Product Parameter	4
Installation Instruction	4
Operation Methods	9
Clean And Maintenance	13
Common Faults And Solutions	14
Accessories	14
Circuit Diagram	15
Electrical Connection	16
After Sale Service	17

Important Safety Information



THIS PRODUCT BELONGS TO THE EMBEDDED HOUSEHOLD GAS STOVE, YOUR SAFETY IS OF THE UTMOST IMPORTANCE TO ROBAM APPLIANCES CO.,LTD.PLEASE MAKE SURE THAT YOU READ THIS INSTRUCTION BOOKLET BEFORE ATTEMPTING TO INSTALL OR USE THE APPLIANCE. IF YOU ARE UNSURE OF ANY OF THE INFORMATION CONTAINED IN THIS BOOKLET, PLEASE CONTACT THE ROBAM APPLIANCES CO.,LTD.

General Information

- ◆ This appliance is designed for domestic household use and for the cooking and frying of domestic foodstuffs.
- ◆ **IMPORTANT:** The adjacent furniture and all materials used in the installation must be able to withstand a minimum temperature of 85°C above the ambient temperature of the room it is located in, whilst in use.
- ◆ Certain types of vinyl or laminate kitchen furniture are particularly prone to heat damage or discolouration at temperatures below the guidelines given above.
- ◆ Any damage caused by the appliance being installed in contravention of this temperature limit, will be the liability of the owner.
- ◆ The use of this appliance for any other purpose or in any other environment without the express agreement of ROBAM APPLIANCES CO.,LTD.will invalidate any warranty or liability claim.
- ◆ You should not use this appliance to store items on or as a work surface.
- ◆ Do Not Modify This appliance.
- ◆ You should not store or place flammable or highly flammable liquids/materials on top of or near the appliance. Items made from aluminium, plastic or plastic film should also be kept away from the appliance, as they may fuse to the surface.
- ◆ Repairs may only be carried out by ROBAM APPLIANCES CO.,LTD. service engineers or their authorised service agent.

General Safety

- ◆ Installation must be carried out by an AUTHORISED PERSON in accordance with the regulation in force.
- ◆ Care should be taken to ensure that the units and work surfaces that you build the appliance into, meet with The relevant standards.

- ◆ Prior to installation, ensure that the local distribution conditions (nature of the gas and gas pressure) and the adjustment of the appliance are compatible.
- ◆ This appliance can not be connected to a combustion product evacuation device. It shall be installed and connected in accordance with current installation regulations. Particular attention shall be given to the relevant requirements regarding ventilation.
- ◆ **CAUTION:** The use of a gas cooking appliance results in the production of heat and moisture in the room in which it is installed. Ensure the kitchen is well ventilated, keep natural ventilation holes open or install a mechanical ventilation device (mechanical extractor hood).
- ◆ **CAUTION:** This appliance is for cooking purposes only. It must not be used for other purposes, for example room heating.
- ◆ Prolonged intensive use of the appliance may call for additional ventilation, for example opening of a window or more effective ventilation, for example increasing the level of mechanical ventilation where present.
- ◆ Care should be used when utilising the appliance, otherwise there is a risk of burns being caused.
- ◆ You should not allow the electrical connection cables to come into contact with the hob surface when it is hot or any hot cookware.
- ◆ When cooking the appliance should not be left unattended.
- ◆ Make sure that all of the cooking zones are switched off after use.



Do not place anything (e.g. a flame tamer or an asbestos mat) between the pan and pan support, as serious damage to the appliance may result.



Do not remove the pan support and enclose the burner with a wok stand, as this will concentrate and deflect the heat onto the hotplate.



Do not use large pots or heavy weights that can bend the pan support or deflect flame onto the hotplate.



Locate the pan centrally over the burner so that it is stable and does not overhang the appliance.



Use only a wok support supplied or by the manufacturer recommended of the appliance.

- ◆ Children being supervised not to play with the appliance
- ◆ This appliance is not intended for use by persons (including children) with reduced physical, sensory or mental capabilities, or lack of experience and knowledge, unless they have been given supervision or instruction concerning use of the appliance by a person responsible for their safety.
- ◆ DO NOT USE OR STORE FLAMMABLE MATERIALS IN THE APPLIANCE STORAGE DRAWER OR NEAR THIS APPLIANCE.
- ◆ DO NOT SPRAY AEROSOLS IN THE VICINITY OF THIS APPLIANCE WHILE IT IS IN OPERATION.
- ◆ DO NOT MODIFY THIS APPLIANCE.
- ◆ DO NOT USE THIS APPLIANCE AS A SPACE HEATER.
- ◆ If the supply cord is damaged, it must be replaced by the manufacturer, its service agent or similarly qualified persons in order to avoid a hazard.
- ◆ Incorrect installation, for which the manufacturer accepts no responsibility, may cause personal injury or damage and could invalidate any warranty or liability claims.
- ◆ Installation must comply with your local building and local gas authority codes and electricity regulations.
- ◆ This appliance is to be installed and serviced only by an authorised person.
- ◆ This gas appliance is suitable for connection only to the gas type for which it was set at the factory, as declared on the appliance data label. If in doubt, refer to the local gas network operator or gas supplier to confirm gas type at installation site.

WARNING: 240 VOLTS DISCONNECT POWER BEFORE SERVICING UNIT.

Child Safety

- ◆ ROBAM APPLIANCES CO., LTD. strongly recommend that babies and young children are prevented from being near to the appliance and not allowed to touch the appliance at any time. During and after use, all surfaces will be hot.
- ◆ If it is necessary for younger family members to be in the kitchen, please ensure that they are kept under close supervision at all times.
- ◆ Older children should only be allowed to utilise the appliance when supervised.
- ◆ Children should be supervised to ensure that they do not play with the appliance.

During use

- ◆ Any film or stickers that are present on the hob surface when it is delivered should be removed before use.

Product Parameter

Burner	NATURAL GAS (NG) @ 1.0 kPa		U.L.P. GAS (ULPG) @ 2.75 kPa	
	INJECTOR SIZE (mm)	NOMINAL GAS CONSUMPTION (MJ/h)	INJECTOR SIZE (mm)	NOMINAL GAS CONSUMPTION (MJ/h)
WOK	Ø1.48	23.0	Ø0.71	18.0
	Ø0.98		Ø0.59	
Rapid	Ø1.65	12.6	Ø0.92	11.50
Semi Rapid	Ø1.15	6.50	Ø0.69	6.50
Auxiliary	Ø0.98	4.70	Ø0.59	4.70

- All the parameters in table are provided for reference only and subject to the specific data on the nameplate of stove.
- The opening size of embedded stove shall subject to the size of the opening template in carton.
- The Company reserves the rights of modifying products' designs and specifications.
- Connection: Rp1/2" (ISO R7).
- Important: for safety, for the correct regulation of gas use and durability of the appliance, ensure that the gas pressure conforms to the indications given in table "Nozzle and burner characteristics"
- Electrical supply: 220-240V, 50-60Hz, 2.6W

Installation Instruction



- ▶ THE INSTALLATION MUST BE CARRIED OUT BY AN AUTHORISED PERSON, IN ACCORDANCE WITH THE CURRENT VERSION OF THE FOLLOWING.
- ▶ FOR APPLIANCE INTENDED FOR USE WITH A FLEXIBLE CONNECTION TO A FIXED GAS SUPPLY SYSTEM, PLEASE CONFIRM THE GAS TYPE WITH THE LOCAL GAS SUPPLIER, IF IN DOUBT.
- ▶ THIS APPLIANCE MUST BE CORRECTLY INSTALLED BY AN AUTHORISED PERSON, STRICTLY IN ACCORDANCE WITH THE MANUFACTURER'S INSTRUCTIONS AND THE RELEVANT STANDARDS.
- ▶ PLEASE SEE THE SPECIFIC SECTION OF THIS BOOKLET THAT REFERS TO INSTALLATION.

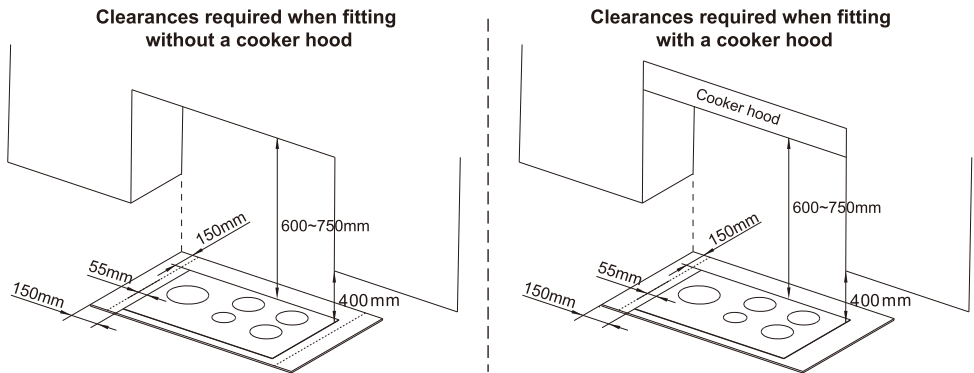
- ◆ ROBAM APPLIANCES CO., LTD. not responsible for any personal injury or property damage caused by improper use or improper installation.
- ◆ ROBAM APPLIANCES CO., LTD. not recommend that this appliance is installed on any type of marine vessel.

This appliance must be installed by an authorised person and in compliance with:

1. AS/NZS 3000-Wiring Rules;
2. AS/NZS 5601.1-Gas Installations part 1: General Installations;
3. Building code of Australia and other government authority and any other relevant statutory regulations
4. The particular instructions as given below.

Positioning

The adjacent furniture must be able to withstand a minimum temperature rise of 65°C above the ambient temperature of the room it is located in, during periods of use.



This stove belongs to Class 3 appliances, so it needs to be embedded in a cabinet (depending on the size) or a 600mm deep operating table, but it should meet the following requirements minimum distance requirement:

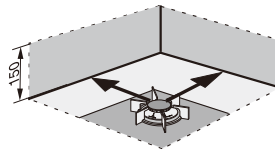
- ◆ The distance between the edge of the stove and the side or rear wall must be at least 55mm.
- ◆ The distance between the highest point of the stove surface (including the burner) and the bottom surface of the horizontal surface directly above it should be 600~750mm.
- ◆ The distance between the surface of the stove and the bottom of the horizontal surface directly above it should be at least 400mm, provided that the bottom of the horizontal surface is outside the stove the fate is consistent. If the distance between the bottom of the horizontal plane and the surface of the stove is less than 400mm, it should be offset from the outer edge of the stove by at least 55mm.
- ◆ There should be a distance of 55mm between the area around the stove and any combustible materials on the surface of the stove.
- ◆ The stove can be placed in the kitchen.

Important: This stove cannot be installed in the bathroom or shower room.

The minimum clearance from a combustible surface shall be a 200mm horizontal distance from the periphery of any gas burner (AS/NZS 5601.1).

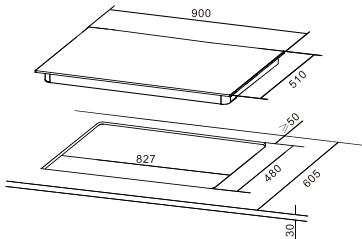
If that horizontal clearance is less than 200mm, that vertical surface must be protected by a non-combustible material for 150mm above the cooktop surface across the entire length (depth, width).

The shown area indicates the protected surface, which may be ceramic tiles or other approved material.

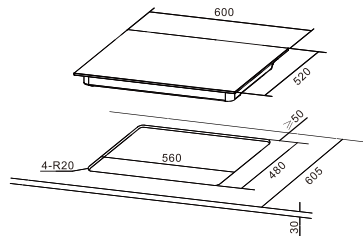


Unpacking the appliance

Remove any protective wrapping before installing.



JZT-9B7H50 **JZT-9B7H31F**
JZY-9B7H50 **JZY-9B7H31F**

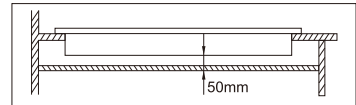


JZT-7B7H32
JZY-7B7H32

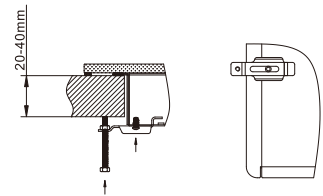
- ◆ Open a hole on the countertop of the cabinet that corresponds to the picture above.

Important: The gap between the bottom of this stove and its lower surface should be at least 50mm.

- ◆ The minimum horizontal distance between the surface of combustible materials and the surroundings of gas burners should be 200mm (AS/NZS 5601.1).



- ◆ The stove is equipped with fixed hooks, which can be installed on countertops with a thickness of 20mm to 40mm. To secure the stove properly, it is recommended to use all the hooks provided.



Important information

- ◆ An AUTHORISED PERSON undertake the installation and service work, in compliance with the above regulations.

Ventilation requirements

- ◆ The room containing the hob should have an air supply in accordance with the current edition of AS/NZS 5601.1
- ◆ The room must have opening windows or equivalent, some rooms may also require a permanent vent.
- ◆ If there are any other fuel burning appliance in the same room the current edition of AS/NZS 5601.1 should be consulted to determine air vent requirements.
- ◆ Ensure that the room containing the hob is well ventilated, keep natural ventilation holes or install a mechanical ventilation device (mechanical cooker hood).
- ◆ Prolonged intensive use of the appliance may call for additional ventilation, either by the opening of a window, or by increasing the level of the mechanical ventilation device (where present).
- ◆ This hob is not fitted with a device for discharging the products of combustion, Ensure that the ventilation rules and regulations are followed.
- ◆ The walls behind and near the hob should be resistant to heat, steam and condensation.
- ◆ Minimum dimension of ventilating openings shall be 137 cm² (source of ventilation directly to outside), or 273 cm² (source of ventilation via an adjacent room).
- ◆ The minimum vertical dimension of any free ventilation opening shall be 6mm to minimize linting.

Gas Safety(Installation and Use)Regulations

IMPORTANT: The appliance must be connected to the gas supply by use of a 15mmx1/2" conical thread female.coupler, seal, copper pipe.

- ◆ It is the law that all gas appliance are installed by competent persons in accordance with the current edition of the gas safety installation and use regulations.
- ◆ It is in your interest and that of safety to ensure compliance with the law.
- ◆ An AUTHORISED PERSON work to safe standards of practice. The hob must also be installed in accordance with the current edition of AS/NZS 5601.1. Failure to install the cooker correctly could invalidate the warranty, liability claims and lead to prosecution.

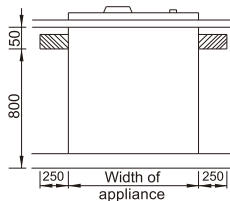
Gas connection



- ▶ THIS APPLIANCE MUST BE INSTALLED BY A COMPETENT PERSON IN ACCORDANCE WITH THE CURRENT VERSIONS OF THE FOLLOWING.
- ▶ HOSE ASSEMBLY MUST BE RESTRAINED TO PREVENT ACCIDENTAL CONTACT WITH THE FLUE OF AN UNDERBENCH OVEN.


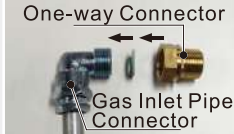

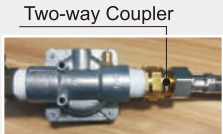


◆Flexibility hose connection

The flexibility hose must be certified to AS/NZS1869 - class B or class D.The inner must be \varnothing 10mm and the maximum length 1.2m(The gas connection has a Rp1/2" conical thread). Any hose assembly used must be restrained from accidental contact with the flue outlet of an under bench oven. This hose assembly shall be suitable for connection to a fixed consumer piping outlet located as follows: Hotplates at a point 800mm to 850mm above the floor and in the region outside the width of the appliance to a distance of 250mm.



Inlet connection region for flexible hose

Installation diagram

 <p>Connector Cap</p>	 <p>One-way Connector Gas Inlet Pipe Connector</p>	
<p>Step1:Remove the connector cap</p>  <p>Two-way Coupler</p>	<p>Step2:Install the one-way connector on the gas inlet pipe.</p>  <p>Pressure Test Point Arrow</p>	<p>Step 3: Connect the flexibility hose coupler with the one-way connector</p>  <p>The cone of the two-way connector</p>
<p>Step 4: Flexible the other end of the hose connector is connected to the cone of the two-way connector, The connector on the other side is connected to the output gas regulator.</p>		

Note:

The gas connection point must be between 800 to 850mm above the floor and in the region outside the width of the appliance to a distance of 250mm.

Pressure Regulator model: RTZ-ED.

Dismantling tools: adjustable spanner.

Remove hose connector before installation.

Please connect the gas regulator with the pipe interface of the gas company.

◆ Put the gas seal inside of the 15mmx1/2" conical thread connector.

◆ Fully tighten the 15mmx1/2" conical thread connector and seal onto the gas rail.

◆ **IMPORTANT:** The connector must be positioned the right way up, as shown in the picture above.

Pressure test point

- This is provided in the gas regulator.

- Remove the screw, connect the hose from the pressure gauge.

- Turn on the gas to the semi-rapid burner and manually light the burner.

- The pressure is shown on the data plate.

- To increase the pressure, loosen locking nut and turn clockwise.

- Disconnect gauge and replace test point screw.

WARNING: check the right positioning of the gas regulator. The arrow on the back of the gas regulator must be oriented toward the connector.

IMPORTANT: On completion carry out a gas leakage test.

After installation don't rotate fixed screw nut connecting with inlet gas pipe arbitrary and must be tested leakage. (Method: Paint tenuous and neuter cleaning solution on the connecting part, then open the valve. If there are air bubbles, please close the valve and tighten screw nut, test it again until there is no leakage).

Test the appliance

After installing the cooktop, ignite all burners to check that they are operating correctly

- The flame must not go out on the lowest setting, or when the control is turned quickly from the highest to the lowest setting.

- On the highest setting, the flame must have a distinctive and visible core.

- If any problem occurs, refer to the common faults and solutions.



Note:

◆ Before you begin, turn off the gas and electricity supply.

◆ The gas pressure must be set by an approved gas fitter and a full operational test and a test for possible leakages must be carried out by the gas fitter after installation.

◆ The gas pressure must be set by the approved gas fitter as shown on the data plate natural gas 1kPa.

◆ Minimum flow adjustment is not needed, because minimum flow has been adjusted when manufacturing. If the minimum flow is not working properly, please contact local dealer to solve the problem. Contact information see "After Sale Service"

My appliance isn't working correctly



DO NOT ATTEMPT TO REPAIR THE APPLIANCE YOURSELF.

◆ Please note that if an engineer is asked to attend whilst the product is under guarantee and finds that the problem is not the result of an appliance fault, then you may be liable for the cost of related costs.

◆ The appliance must be accessible for the engineer to perform any necessary repair. If your appliance is installed in such a way that an engineer is concerned that damage will be caused to the appliance or your kitchen, then he will not complete a repair.

◆ **IMPORTANT:** ROBAM APPLIANCES CO.,LTD.operates a policy of continuous improvement and reserves the right to adjust and modify its products without prior notification.

Operation Methods

Before first use



YOU SHOULD CLEAN THE HOB SURFACE(SEE“CLEANING AND MAINTENANCE” SECTION).

The following symbols will appear on the control panel, next to each control knob:

- :Gas Off
- ⚡ :Ignition position
- ⬆ :Maximum Setting
- ⬇ :Minimum Setting



Picture 1



Picture 2



Picture 3



Picture 4

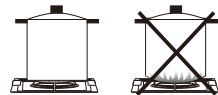
- ◆ The minimum setting is at the end of the anti-clockwise rotation of the control knob.
- ◆ All operation positions must be selected between the maximum and minimum position.
- ◆ Never select a knob position between the maximum and off position.
- ◆ The symbol on the control panel, next to the control knob will indicate which gas burner it operates. Automatic ignition with flame failure safety device, the appliance is fitted with a flame failure safety device on each burner, which is designed to stop the flow of gas to the burner head in the event of the flame going out.

To ignite a burner:

- ◆ Check if the burner, cap, or other parts are positioned correctly, and confirm the knob button(Picture 1) position.
- ◆ If you keep the control knob depressed, the automatic ignition for the burner will operate.
- ◆ Ignition: Press the control button then contrarotate 90 degree accordingly, it's Large flame. You should hold down the control knob for 15 seconds after the flame on the burner has lit. If after 15s the burner has not lit, stop operating the device and wait at least 1 min before attempting a further ignition of the burner.
- ◆ After this 15-second interval, to regulate the flame you should continue turning the control knob anti-clockwise until the flame is at a suitable level. The operating position must be at a position between the maximum position (Picture 3)and minimum position(Picture 4).
- ◆ To switch the burner off, turn the control knob fully clockwise to the gas off position.
- ◆ Extinguish: the burner will be extinguished when the knob turn to(Picture 1) the position.
- ◆ The use-method of hob at low temperature is the same as in normal temperature.

Energy saving tips

Burners	Pan Size	
	Ø min	Ø max
WOK	260mm	280mm
Semi-Rapid	160mm	200mm



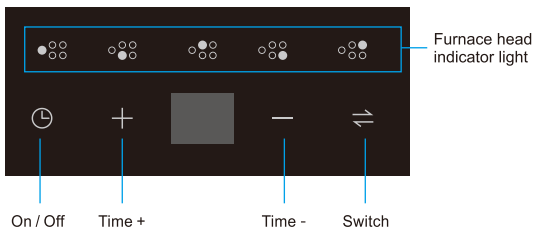
- ◆ The burner flame must never extend beyond the diameter of the pan.
- ◆ When possible, keep a lid on the pan whilst cooking.
- ◆ Cook vegetables with as little water as possible, to reduce cooking times.

IMPORTANT: Always place pans centrally over the hob burners and position them so, You should also make sure that the handle is not over one of the other hob burner flames.

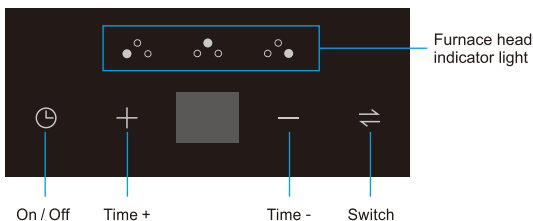
Timed operation method

This is a multi head timed stove. Please familiarize yourself with the various function buttons before use.

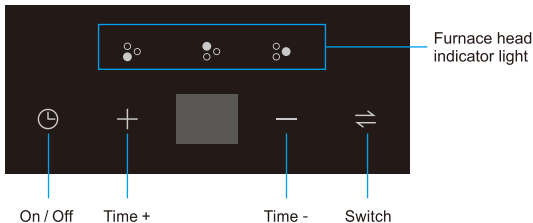
Model: JZT-9B7H50
JZY-9B7H50



Model: JZT-9B7H31F
JZY-9B7H31F



Model: JZT-7B7H32
JZY-7B7H32



01. Press down and turn the knob counterclockwise to ignite the stove head.
02. When the corresponding furnace head enters the normal combustion working state, long press "⌚" (the icon is on), then short press the corresponding furnace head indicator light (the icon is flashing), and the digital tube will default to flashing and display "5" (minutes).
03. The maximum timing duration is 180 minutes, and the timing time varies from:

0 → 1 → 2 → 3 → 4 → 5 → → 178 → 179 → 180

At this time, you can short press the "+" or "-" keys to adjust the timing time, or long press the button to quickly adjust to the specified time and then release. If no operation is performed within 5 seconds, the digital display will stop flashing, start timing, and start countdown display.

- 04. During the timing process, if you want to readjust the timing time, you can briefly press the corresponding furnace indicator light, the digital display will flash, and then adjust it again according to the above method.
- 05. When the timing function needs to be cancelled during the timing setting and startup process, you can long press the corresponding furnace indicator light. At this time, the digital tube will turn off the display and exit the timing state. Or set the timer time to "0", and after about 5 seconds, the digital display will turn off and exit the timer state.
- 06. When multiple furnace heads are turned on at the same time, short press the furnace head indicator light or press the " ⇌ " key to view the remaining time of each furnace head's timing. The selected corresponding furnace head indicator light flashes, while the other furnace head indicator lights remain on.
- 07. When the last 10 seconds of the countdown remain, the corresponding stove indicator light will flash rapidly and accompanied by a buzzing prompt. The digital tube will automatically switch to the current stove display countdown, and the flame will be automatically extinguished when the timer ends. At this time, the digital tube will continue to display " **En** ". Turning the knob back to the " **OFF** " position will release the alarm and turn off the digital tube display.

Timing function code and processing method

CODE	REASON	PROCESSING METHOD
En	Timed end	Return the knob to " OFF " position and re-start.
E2	Thermocouple failure warning	Contact after-sales service for repair

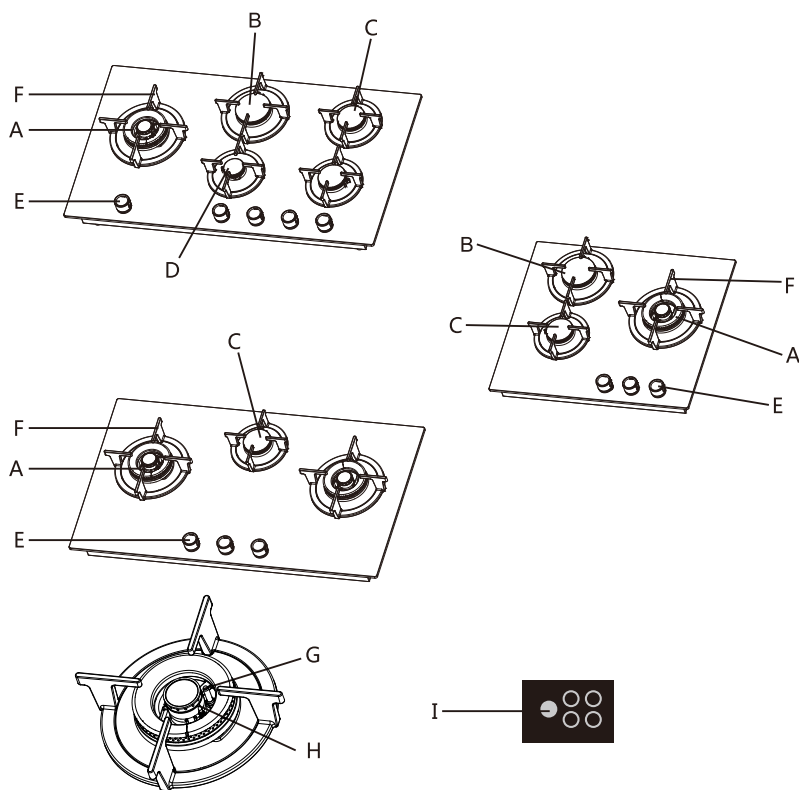
Attention:

1. If the user is unable to troubleshoot the code using the above method, please contact our company's maintenance department or service outlet immediately.
2. If the above alarm occurs at the furnace head in a timed state, the timed function will be cancelled and the shutdown action will be executed directly.
3. During the alarm period, the stove cannot be ignited.

1. Surface maintenance: Please clean the surface of stove with neutral detergent and then wipe it with dry cloth. Do not clean the surface with wire brush or other hard objects.

2. In order to maintain the normal operation and good combustion status of the stove, brush and steel needle must be used regularly to unblock the burner port and remove the dirt on burners, so that stove damages by flareback due to blocked burner port can be avoided, Do not wash the burner port with water.

3. Check the cap and their seats regularly for any displacement or deviation and carry out rectification accordingly (to put them in place), so as to avoid the occurrence of accident.



- | | | |
|--------------------|--------------------|----------------------------------------|
| A、Wok burner | D、Auxiliary Burner | G、Electrode needle |
| B、Rapid burner | E、Knob | H、Thermocouple |
| C、Simerapid burner | F、Pot rack | I、Knob control
corresponding burner |

(The figure is provided for reference only and subject to the actual product.)

- ◆ **IMPORTANT:** 1. To ensure the stability and safety of the pot, please do not use pots with a size less than 100mm, and when cooking with pots with a size of 100mm, the auxiliary pot holder must be placed on the pot holder first.
2. 75 ° C insulation fire, natural gas needs to use C minimum fire state; Liquefied gas needs to use the minimum fire state A.

Clean And Maintenance

Cleaning



CLEANING OPERATIONS MUST ONLY BE CARRIED OUT WHEN THE HOB IS COOL. THE APPLIANCE SHOULD BE DISCONNECTED FROM YOUR MAINS SUPPLY BEFORE COMMENCING ANY CLEANING PROCESS.

- ◆ Cleaning of the hob should be carried out on a regular basis.
- ◆ Before attempting to clean the appliance, it should be disconnected from the mains and cool.
- ◆ Great care should be taken whilst using this appliance and when following the cleaning procedure.
- ◆ You should not use a steam jet or any other high pressure cleaning equipment to clean the appliance.

After each use

- ◆ Remove the pan stands and wipe the appliance over with a soft, damp cloth that has been put into warm neutral detergent.
- ◆ Dry the appliance by rubbing the surface with a soft, clean cloth.
- ◆ We would recommend that an appropriate stainless steel cleaner and polish is regularly used on the stainless steel surfaces of this appliance.

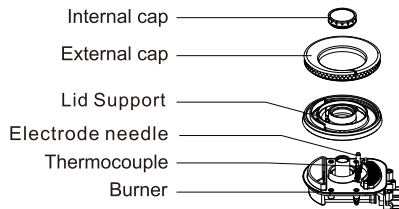
Cleaning the hob top

- ◆ You should remove any residues with warm neutral detergent.
- ◆ Abrasive cleaners or sharp objects will damage the hob surface; you should clean it using warm neutral detergent.
- ◆ Although it is easier to clean some deposits whilst the hob surface is still warm. make sure that the hob surface, pan supports and hob burners have all cooled sufficiently before you attempt to touch them.

Cleaning the hob burners

- ◆ The hob burners should be cleaned once a week or more frequently if they get soiled.
- ◆ Remove the hob burners by pulling them upwards and away from the hob top.
- ◆ Soak them for about ten minutes in hot water and a little detergent.
- ◆ After cleaning and washing them, wipe and dry them carefully.
- ◆ Before placing the burners back on the hob top, make sure that the gas jet is not blocked.
- ◆ **IMPORTANT:** Make sure that you reassemble the burners in the original way.

Make sure that the hob surface, pan stands and hob burners have cooled before you attempt to touch them.



(The figure is provided for reference only and subject to the actual product.)

Common Faults And Solutions

Faults	Causes	Solutions
Ignition failure	The switch of gas source closes	Close the switch knob of stove and then open the valve of gas source
	Air in gas pipe	Carry out ignition repeatedly to exhaust the air in pipe
	Bending, blocking or pressing of hose	Straighten, unblock or replace the hose
	The porcelain head of ignition electrode is not clean	Clean the head
	Improper distance between the ignition electrode and the receiving end	Adjust the distance between the ignition electrode and the receiving end at around 4mm
Flame extinct after releasing	The cap and bass are not in place	The cap and bass must be put in place
	The knob is not pressed to the maximum extent	After ignition, hold and press the switch knob for 3~5 seconds(to the maximum extent)and then release it
Gas leakage (odor of gas)	The switch knob is not closed	Close the switch knob
	The hose is not proper connected or has cracks	Connect the hose properly or replace it
Abnormal combustion or noises	Blockage of burner or flame outlet	Remove the blockage
	The gas used is not in consistent with the gas type marked on stove	Replace injector
	Unstable gas pressure, water in hose	Remove the water in hose

Accessories

Accessories Name	Quantity
Manual	1
Pressure Regulator	1
Inlet Elbow	1
Non Asbestos Gasket	2
Hole Template	1
Auxiliary Pot Rack	1
Fixed Hook	4
M4 × 12 Screw	4
M4 × 50 Screw (Matching Nut)	4



Pressure Regulator



Inlet Elbow



Auxiliary Pot Rack



Fixed Hook

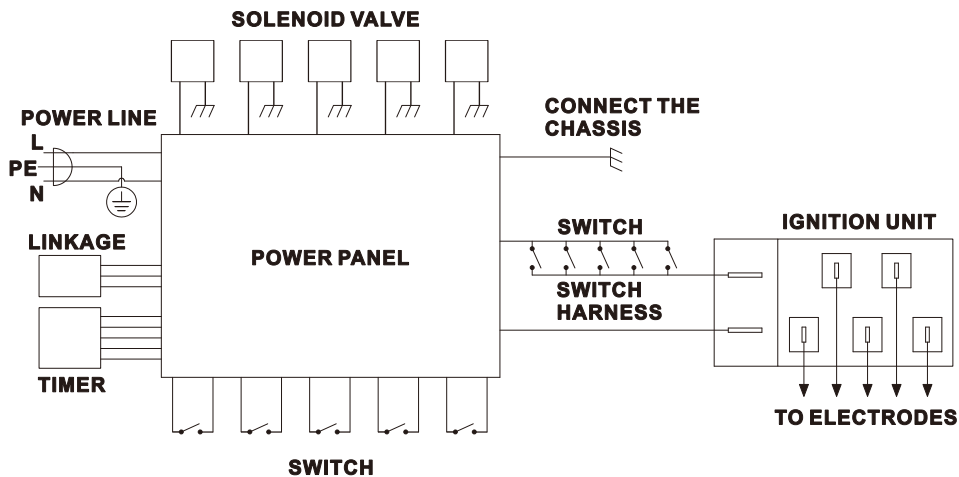


M4 × 12 Screw



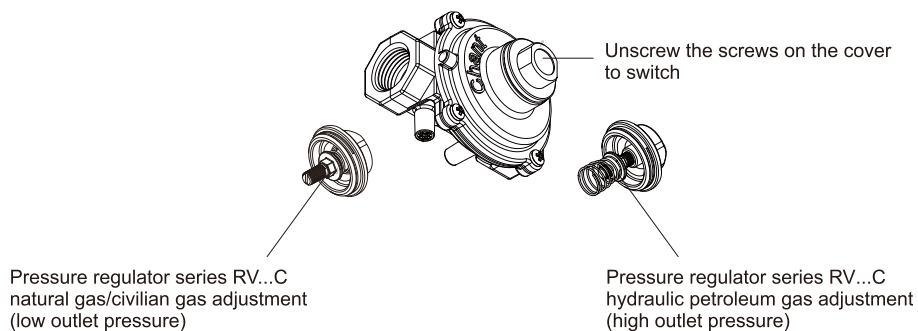
M4 × 50 Screw (Matching Nut)

Circuit Diagram



Set pressure regulator

Attention: The pressure regulator defaults to the natural gas pressure setting. If hydraulic petroleum gas is required, please unscrew the screws on the cover for conversion



Electrical Connection

WARNING!



Electrical Shock Hazard

Plug into a grounded 3-prong outlet.
Do not use an adapter.
Failure to follow these instructions.
Can result in death, fire or electrical
Do not remove ground prong .
shock.

If codes permit and a separate ground wire is used, it is recommended that a qualified electrician determine that the ground path is adequate. Check with a qualified electrician if you are not sure whether the cooktop is properly grounded, Do not ground to a gas pipe.

The outlet must be checked by a qualified electrician to see if it is wired with correct polarity.

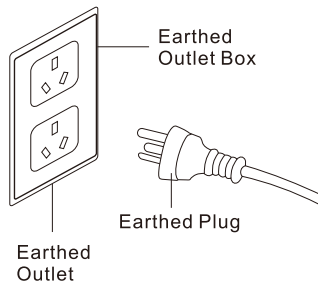
This appliance when installed, must be electrically grounded in accordance with local codes.

Recommended ground method

For your personal safety this cooktop must be grounded. This cooktop is equipped with a 3-prong ground plug. To minimize possible shock hazard, the cord must be plugged into a matching 3-prong ground-type outlet, grounded in accordance with the local codes and of ordinances. If a matching outlet is not available it is the personal responsibility and obligation of the customer to have a properly polarized and grounded 3-prong outlet installed by a qualified electrician.

WARNING VERY IMPORTANT

Before any operation of
Maintenance disconnect
the appliance from the
electrical main supply.



After Sale Service

In the event of any faults which you cannot easily remedy please contact local dealer to repair or replace them, contact details are as follows:

Please quote the model and serial number of your appliance when contacting

Bar code

Space in which to stick the extra data plate and bar code supplied with the appliance, Ensure that the model number is the same as the one on the back of these operating instructions.

New South Wales: 0426771688

Victoria: 1300076226 / 0452576226

Queensland:

Brisbane: 0732991818

Gold Coast: 0478518623

Western Australia: 0449911508

South Australia: 0422356720

New Zealand: 0800 276 226

目 录

安全注意事项	1
产品性能参数	3
安装说明	3
使用方法	8
清扫维护注意事项	11
常见故障及处理方法	13
附件	13
电气原理图	14
电气连接	15
售后服务	15

安全注意事项



本产品属于嵌入式家用燃气灶，您的安全对老板电器股份有限公司至关重要。在尝试安装或使用该灶具之前，请务必阅读本说明书。如对本说明书所载的资料有任何疑问，请联系老板电器股份有限公司。

基本信息

- ◆ 本产品是为家庭使用而设计的，适用于家庭食品的烹调 and 煎炸。
- ◆ 重要:邻近的家具和安装中所使用的材料必须能够承受85°C以上的温度。
- ◆ 某些类型的乙烯基或层压板厨房家具特别容易在上述规定温度下受热损坏或变色。
- ◆ 任何因安装的灶具违反本温度限制而造成的损坏，将由使用者负责。
- ◆ 您购买的新灶具保证没有电气或机械缺陷。
- ◆ 未经老板电器股份有限公司明确同意，将本灶具用于任何其他目的或在任何其他环境中使用，将使保修或责任索赔失效。
- ◆ 您不应将此灶具用于储存物品，或者将其用作工作台面。
- ◆ 切勿改装本灶具。
- ◆ 您不应该在本灶具的顶部及附近储存或放置易燃或高度易燃的液体/材料。由铝、塑料或塑料薄膜制成的物品亦应远离本灶具，因为它们可能会熔合到表面。
- ◆ 维修只能由老板电器股份有限公司的维修工程师或其授权的维修代理商执行。

通用安全

- ◆ 安装必须由有资质的人员根据现行法规进行。
- ◆ 应注意确保您用于安装本灶具的装置和工作台面符合相关标准。
- ◆ 本灶具不适合身体、感官或智力低下或缺乏经验和知识的人（包括儿童）使用，除非对其安全负有责任的人对其使用灶具进行了监督或指导。
- ◆ 切勿在本灶具的储物抽屉内或在本灶具附近使用存放易燃物品。
- ◆ 使用时，切勿在本灶具附近喷洒气溶胶。
- ◆ 切勿改装本灶具。
- ◆ 切勿将本灶具用作空间加热器。
- ◆ 不要使用没有内衬的砌体烟囱作为本器具的烟道。
- ◆ 如果电源线损坏，必须由制造商、其服务代理商或类似的专业人员更换，以避免危险。
- ◆ 安装不当可能导致人身伤害或损伤，并可能使保修或责任索赔失效，制造商对此不承担任何责任。
- ◆ 安装必须符合当地建筑和当地燃气管理局的规范和电力规定。
- ◆ 本灶具只能由有资质的人员安装和维修。
- ◆ 本灶具只适用于与灶具铭牌上声明的工厂设定的燃气类型连接。本灶具不能转换为本器具规定以外的其他燃气。如有疑问，请向当地燃气网络运营商或燃气供应商在安装现场确认燃气类型。

警告：在维修前断开电源（240V）

儿童安全

- ◆ 老板电器股份有限公司强烈建议婴儿和幼儿不要靠近本灶具，任何时候都不要触摸本灶具。因为在使用期间和使用后，所有表面的温度都非常高。
- ◆ 如果需要让年龄较小的家庭成员呆在厨房，请确保他们始终都受到密切的监督。
- ◆ 年龄较大的儿童只有在有成人监督的情况下才能使用本灶具。
- ◆ 儿童应当加以监督，以确保他们不会将本灶具当作玩具。

在使用过程中

- ◆贴在灶具表面上的薄膜或贴纸在使用前都应当拆除。
- ◆安装前，确保当地的气源条件（燃气性质和燃气压力）和灶具配置一致。
- ◆本灶具不应连接到燃烧产物排出装置上。本灶具应按照现行安装法规安装和连接。应特别注意通风相关的规定。
- ◆注意：灶具的使用会在安装灶具的房间内产生热量和湿气。因此，需要确保厨房通风良好，保持自然通风孔打开或安装通风装置（吸油烟机）。
- ◆注意：本灶具只作烹饪之用。它不能用于其他目的（例如：房间供暖）。
- ◆长时间频繁使用本灶具可能需要额外的通风，例如打开窗户或更有效的通风，例如增加现有的通风水平。
- ◆使用本灶具时应小心谨慎，否则会有灼伤的危险。
- ◆电气连接电缆不能与温度较高的灶具或炊具表面接触。
- ◆烹饪时，本灶具不能无人看管。
- ◆确保所有烹饪区在使用后均已关闭。



切勿在锅和锅架之间放置任何东西（例如火焰调节器或石棉垫），以免对本灶具造成严重损坏。



切勿取下锅架，直接将炒菜锅架放在燃烧器上，因为这样会使热量集中并转移到灶具上。



切勿使用大锅或重物，否则会使锅架弯曲或使火焰转移到灶具上。



将锅放在燃烧器的中心位置，使其稳定，不会悬在本灶具上方。



只使用本灶具制造商提供或由其推荐的炒菜锅架。

产品性能参数

燃烧器	天然气 (NG) 额定压力1.0kPa		液化气 (ULPG) 额定压力2.75kPa	
	喷嘴直径 (mm)	额定耗气量 (MJ/h)	喷嘴直径 (mm)	额定耗气量 (MJ/h)
大燃烧器	Ø1.48	23.0	Ø0.71	18.0
	Ø0.98		Ø0.59	
中燃烧器	Ø1.65	12.6	Ø0.92	11.50
小燃烧器	Ø1.15	6.50	Ø0.69	6.50
微小燃烧器	Ø0.98	4.70	Ø0.59	4.70

- 1.表中所有参数仅供参考，以灶具铭牌上的具体数据为准。
- 2.灶具的挖孔尺寸，以挖孔样板尺寸为准。
- 3.本公司保留更改产品设计与规格的权利。
- 4.燃气接口：Rp1/2"(ISO R7)。
- 5.电源：220-240V,50-60Hz,2.6W。

重要事项:为了安全起见，以及正确的气体使用和灶具的耐用性，需确保气体压力符合表中“喷嘴和燃烧器特性”的指示。

安装说明



- ▶ 安装必须由有资质的人员按照下述现行版本进行。
- ▶ 对于与固定燃气供应系统柔性连接的灶具，如有疑问，请与当地燃气供应商确认燃气类型。
- ▶ 本灶具必须由有资质的人员严格按照制造商的说明和相关标准正确安装。
- ▶ 请参阅本说明书中安装相关的具体章节。

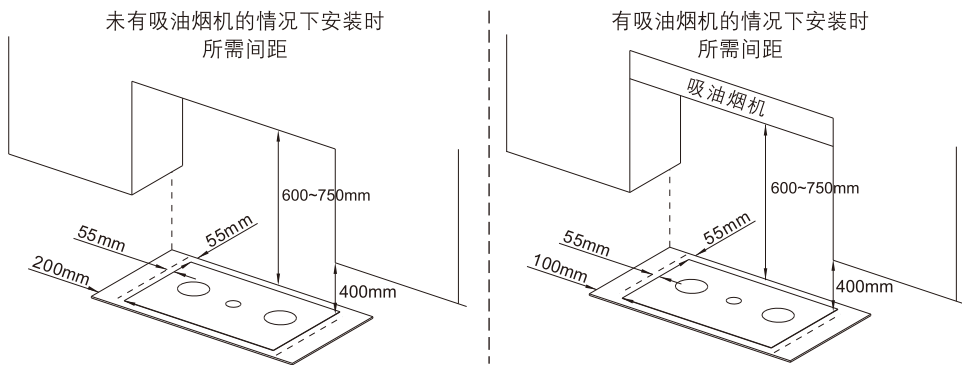
- ◆ 若因使用不当或安装不当而造成任何人身或财产损失，老板电器股份有限公司概不负责。
- ◆ 老板电器股份有限公司不建议将本灶具安装在任何类型的船舶上。

本灶具必须由有资质的人员安装并遵守：

1. AS/NZS 3000布线规则。
2. AS/NZS 5601.1燃气安装第一部分，一般安装要求。
3. 澳大利亚和其他地方政府建筑法规，以及其他相关的法规。
4. 下述具体安装要求。

布置

邻近家具在使用期间必须能够承受比其所在房间环境温度至少高出65°C的温升。

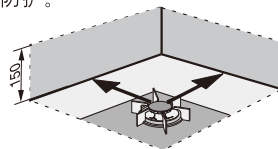


本灶具属3类电器，因此需要嵌入在橱柜（视尺寸而定）或深度为600mm的操作台面上，但应满足以下最小距离要求：

- ◆ 灶具的边缘与侧面或后部墙壁的距离必须至少为55mm。
- ◆ 灶具表面（包括燃烧器）最高点与其正上方水平表面底面之间的距离应当为600~750mm。
- ◆ 灶具表面与其正上方水平表面底面之间的距离至少应当为400mm，但前提是水平面的底面与灶具的外缘相一致。如果水平面底面与灶具表面的距离小于400mm，则其与灶具外缘至少应错开55mm。
- ◆ 灶具周围及灶具表面与任何可燃材料之间应当留有55mm的间距。
- ◆ 灶具可以放置在厨房内。

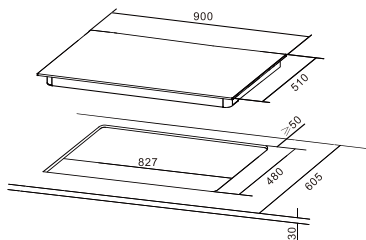
重要:本灶具不能安装在浴室或淋浴间。

1. 燃烧器与周边可燃物的最小水平距离200mm，（AS/NZS 5601.1）。
2. 如果周边水平间距小于200mm，必须用150mm高的阻燃材料进行防护。
3. 所示区域表示受保护的表面，其可以是瓷砖或阻燃材料。

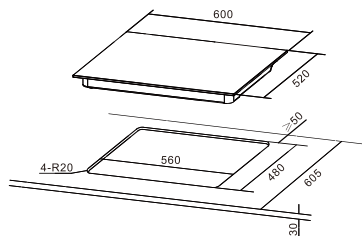


灶具开箱

安装前拆除所有保护包装材料。



JZT-9B7H50 **JZT-9B7H31F**
JZY-9B7H50 **JZY-9B7H31F**

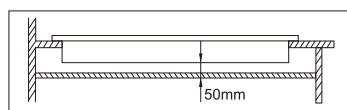


JZT-7B7H32
JZY-7B7H32

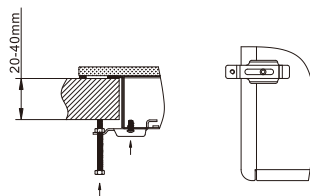
- ◆ 橱柜台面上开一个与上图相对应的孔。

重要:本灶具底部与其下部表面之间的间隙至少应当为50mm。

- ◆ 可燃物表面与燃气燃烧器四周的最小水平距离应当为200mm (AS/NZS 5601.1)。



- ◆ 灶具有固定挂钩，可将灶具安装在厚度为20mm至40mm的台面上。为了将灶具固定好，建议使用所有提供的挂钩。



重要信息

授权人员须按照上述规例进行安装及维修工作。

通风要求

- ◆ 装有灶具的房间应按照AS/NZS 5601.1的现行版本通风设计。
- ◆ 房间必须有开着的窗户或同等条件的窗户，有些房间可能还需要一个永久性的通气孔。
- ◆ 如果在同一房间内有任何其他燃油燃烧器具，应参阅AS/NZS 5601.1现行版本，以确定通气孔要求。
- ◆ 确保装有灶具的房间通风良好，保持自然通风孔打开或安装通风装置（吸油烟机）。
- ◆ 长时间频繁使用本灶具可能需要额外的通风，可以打开窗户，或增加通风装置（如有）的水平。
- ◆ 本灶具未装配有排放燃烧产物的装置，确保遵守通风规则和制度。
- ◆ 本灶具后面和附近的墙壁应耐高温、蒸汽和冷凝。
- ◆ 本通风口的最小尺寸应为137cm²（以直接通向外部的通风源）或273 cm²（以透过相邻房间的通风源）。
- ◆ 任意通风口的最小垂直尺寸应为6mm，最大程度减少灰尘或毛绒物堵塞通风口。

燃气安全（安装及使用）规例

重要: 本灶具必须使用合适的15mmx1/2"锥形内螺纹软管、密封圈、铜接头

- ◆ 法例规定，所有灶具均由有资质的人员根据现行版本的燃气安全安装及使用规例安装。
- ◆ 确保遵守法律是为了确保您的利益和安全。
- ◆ 有资质的人员须按照安全实践标准工作。灶具也必须按照现行版本的AS/NZS 5601.1安装。未能正确安装灶具可能会令保修、责任索赔失效，以及可能会被起诉。

燃气接管

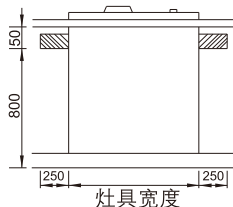


- ▶ 本灶具必须由有资质的人员按照下述标准的现行版本安装；
- ▶ 软管组件必须加以限制，以防止与灶具底部的烤箱排气孔接触。

◆ 柔性软管连接

柔性软管必须经过AS/NZS 1869的B类或D类认证。内径必须为10mm，最大长度为1.2m（燃气接管必须是Rp1/2" 锥形螺纹）。

所使用的所有软管组件都必须防止与灶具底部的烤箱排气孔接触。软管组件应该适用于连接到固定用户管道出口，其位置如下：地板上方800mm至850mm处，以及距离本灶具250mm区域处。



柔性软管进口连接区域

安装图



步骤1: 拆卸防尘帽
双向转接头



步骤4: 将柔性软管接头的一端连接到双向转接头的锥部，另一端连接到输出压力调节器上



步骤2: 将单向转接头安装到气管弯管上



压力测试点
箭头



步骤3: 将柔性软管与单向转接头连接



双向转接头的锥部

注意：

燃气连接点必须在地板上方800至850mm处，并且距离本灶具250mm区域处。

压力调节器型号：RTZ-ED。

拆装工具：活动扳手。

安装前拆卸软管接头。

请将压力调节器与燃气公司管道接口连接。

◆ 将燃气密封圈放入15mmx1/2" 的锥形螺纹接头内。

◆ 完全拧紧15mmx1/2" 锥形螺纹接头，并密封到燃气进气管上。

◆ **重要：**接头必须向上正确定位，如安装图所示。

压力测试点

- 位于压力调节器中。
- 拆下螺钉，将软管接到压力计上。
- 打开燃气通到小燃烧器上，手动点燃燃烧器。
- 铭牌上标有测试压力。
- 增加压力，松开锁紧螺母，并顺时针转动。
- 断开压力计并更换测试点螺钉。

警告：检查压力调节器是否处于正确位置。压力调节器背面的箭头必须朝向接头。

重要：完成后进行漏气测试。

安装后不要随意转动与进气管连接的固定螺帽，必须进行泄漏检测。（方法：在连接部位涂抹稀薄中性清洗液，然后打开阀门，如果出现气泡，请关闭阀门并拧紧螺帽，再次测试直到没有泄漏为止）。

测试灶具

安装好灶具后，点燃所有的燃烧器，检查它们是否正常工作。

- 火焰不能在最小火时熄灭，也不能在大火快速切换到小火时熄灭。
- 在最大火时，火焰必须形成一个独特可见的焰芯。
- 如果出现任何问题，请参考“常见的故障和解决方法”。



注意：

- ◆安装前必须关闭燃气和电源。
- ◆燃气压力必须由许可的燃气安装工设定，安装后必须由燃气安装工进行全面的操作测试和可能泄漏的测试。
- ◆燃气压力必须由许可的燃气安装工设定，如铭牌上所示的天然气压力为1.0kPa。
- ◆无需调节最小流量，因为最小流量在生产时已经调整。如果在最小流量下不能正常工作，请联系当地经销商解决问题。

灶具不能正常工作



切勿尝试自己修理本灶具。

- ◆请注意，如果在产品保修期间要求工程师到场，并且发现问题不是由灶具故障造成的，那么您可能要承担相应费用。
- ◆本灶具必须便于工程师进行任何必要的维修。如果灶具的安装方式让工程师担心会对灶具或厨房造成损坏，那么他就不会完成维修。

重要：老板电器股份有限公司执行持续改进政策，并保留在不事先通知的情况下调整和修改其产品的权利。

使用方法

第一次使用前



您应当清洁灶具表面（参见“清扫维护注意事项”章节）。

在旋钮旁边的面板上会标有以下符号：

- :燃气关
- ⚡ :点火位置
- 🔥 :大火
- 🔥 :小火



图1



图2



图3



图4

- ◆小火在旋钮逆时针旋转的末端。
- ◆所有操作位置必须在大火和小火之间选择。
- ◆不要在大火和关闭位置之间选择旋钮位置。
- ◆面板上，旋钮旁边的符号将指示所操作的灶具燃烧器的状态。对于带火焰失效安全装置的自动点火装置，本灶具的每个燃烧器上安装有火焰失效安全装置，用于在火焰熄灭时阻止燃气流向燃烧器头部。

点燃燃烧器：

- ◆检查燃烧器、火盖或其他部件的定位是否正确，并确认旋钮（图1）的位置。
- ◆如果您将旋钮按下，燃烧器的自动点火就会工作。
- ◆点火：按下旋钮，然后逆时针旋转90度，便会设定为大火。在燃烧器上的火焰点燃后，您应当按住旋钮15秒。如果15秒后燃烧器仍未点燃，请停止操作，打开橱柜门，等待至少1分钟，然后再次点燃燃烧器。
- ◆在15秒间隔后，要调节火焰，您应当继续逆时针旋转旋钮，直到火焰达到合适的水平。操作位置必须在大火（图3）和小火位置（图4）之间。
- ◆要关闭燃烧器，请将旋钮顺时针旋转到关闭燃气的位置。
- ◆熄灭：当旋转变到（图1）位置时，燃烧器熄灭。
- ◆低温下灶具的使用方法与常温下相同。

节能建议

燃烧器	锅尺寸	
	∅(最小)	∅(最大)
大炉头	260mm	280mm
小炉头	160mm	200mm

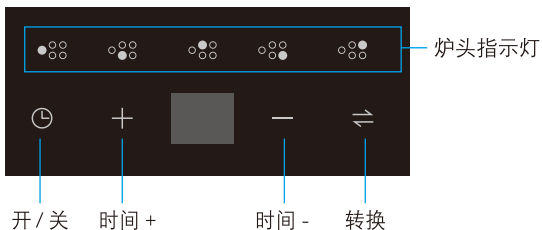


- ◆燃烧器火焰绝不能超出锅的直径。
 - ◆如果可能的话，烹饪的时候把锅盖盖上。
 - ◆用尽可能少的水烹饪蔬菜，以减少烹饪时间。
- 重要：**始终将锅放在灶具燃烧器的中央，并将其放置在正确的位置，您还应当确保手柄没有超过灶具的另一个燃烧器火焰。

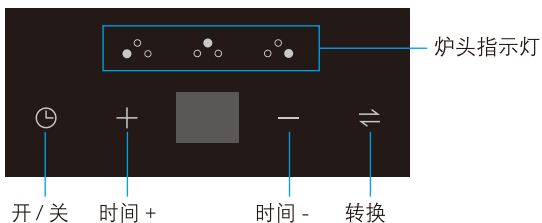
定时操作方法

这是一个多头定时炉。使用前请熟悉各种功能按钮。

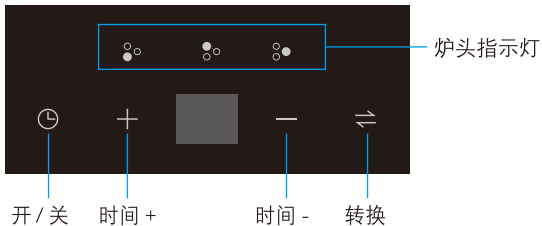
型号: JZT-9B7H50
JZY-9B7H50



型号: JZT-9B7H31F
JZY-9B7H31F



型号: JZT-7B7H32
JZY-7B7H32




01.按下并逆时针转动旋钮，点燃炉头。

02.当相应炉头进入正常燃烧工作状态时，长按“🕒”（图标标亮），然后短按相应炉头指示灯（图标闪烁），数码管将默认闪烁并显示“5”（分钟）。

03.最长计时时间为180分钟，计时时间如下：

0 → 1 → 2 → 3 → 4 → 5 → …… 178 → 179 → 180

此时，您可以短按“+”或“-”键调整计时时间，或长按按钮可快速调整到指定时间，然后松开。如果在5分钟内未进行任何操作秒后，数字显示屏将停止闪烁，开始计时，并开始倒计时显示。

- 04.在计时过程中，如果要重新调整计时时间，可以短按相应的炉头指示灯，数字显示器将闪烁，然后根据需需要再次按上述方法调整。
- 05.在定时设置和启动过程中需要取消定时功能时，您可以长按相应的炉头指示灯。此时，数码管将关闭显示并退出计时状态。或者将计时器时间设置为“0”，大约5秒后，数字显示器将关闭并退出计时器状态。
- 06.当多个炉头同时打开时，短按炉头指示器点亮或按“”键查看每个炉头计时的剩余时间。所选相应的炉头指示灯闪烁，而其他炉头指示灯会亮起继续。
- 07.当倒计时的最后10秒结束时，相应的炉灶指示灯将闪烁快速地，伴随着嗡嗡的提示。数码管将自动切换到显示倒计时，定时器结束时火焰会自动熄灭。数码管将继续显示“En”。直到将旋钮转回“OFF”位置解除警报并关闭数码管显示。

定时代码及处理方法

代码	原因	处理方法
En	定时结束	关闭旋钮，重新打开
E2	热电偶故障警告	联系售后服务进行维修

- 注意：
- 1.如果用户无法使用上述方法对代码进行故障排除，请立即联系我们公司的维护部门或服务网点。
 - 2.如果上述报警在定时状态下发生，定时功能将被取消，直接执行停机动作。
 - 3.在报警期间，炉头无法点燃。

清扫维护注意事项

清扫



清扫操作必须在灶具冷却后进行。在开始任何清扫过程之前，应该先断开本灶具的电源。

- ◆灶具应定期进行清扫。
- ◆在尝试清扫本灶具之前，应该断开电源并冷却。
- ◆在使用本灶具时，应当遵循清扫程序，并且应格外小心。
- ◆您不应该使用蒸汽喷嘴或任何其他高压清扫设备来清扫本灶具。

每次使用后

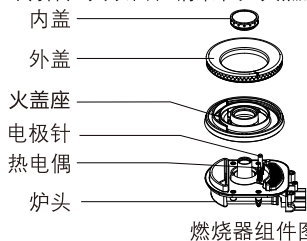
- ◆取下锅架，用中性洗涤剂浸湿的柔软湿抹布擦拭本灶具。
- ◆用柔软干净的抹布擦干本灶具表面，使其干燥。
- ◆我们建议在本灶具的不锈钢表面定期使用适当的不锈钢清洁剂和抛光剂。

清洁灶具顶部

- ◆您应当用中性洗涤剂除去所有残留物。
- ◆擦洗剂或尖锐物体会损坏灶具表面，您应当用中性洗涤剂清洁。
- ◆虽然在灶具表面仍然是热的时候，清理一些沉淀物会更容易。但是，在接触灶具表面、锅架和灶具燃烧器之前，请确保它们都已充分冷却。

清洁灶具燃烧器

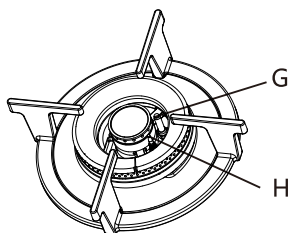
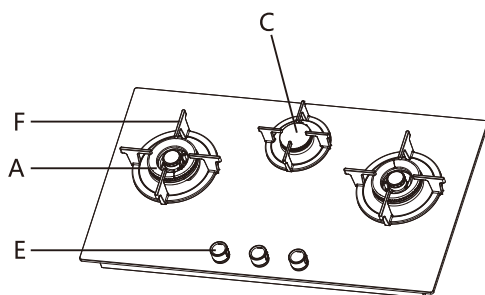
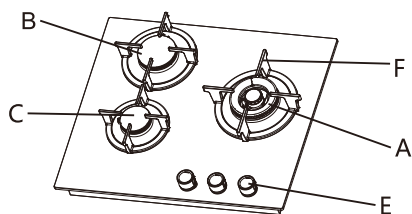
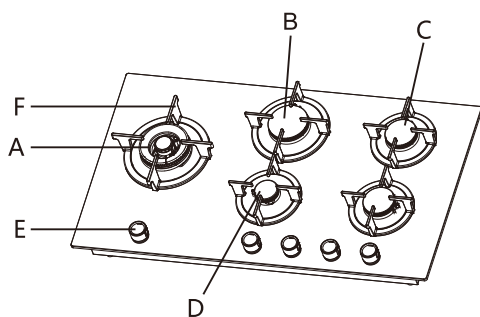
- ◆灶具燃烧器应每周清洁一次，如果弄脏了，应更频繁地清洁。
 - ◆从灶具顶部向上拉出灶具燃烧器，以取下灶具燃烧器。
 - ◆用热水和少许中性洗涤剂浸泡10分钟左右。
 - ◆清洁干净后，仔细擦干。
 - ◆在将燃烧器放回灶具顶部之前，确保燃气喷嘴没有被堵塞。
 - ◆**重要：**一定要按原来的方式重新组装燃烧器。
- 在尝试触摸之前，应当确保灶具表面、锅架和灶具燃烧器已经冷却。



燃烧器组件图

(图片仅供参考，具体以实物为准。)

1. 表面维护：请用中性洗涤剂清洁灶具表面，然后用干布擦拭。不要用钢丝刷或其他坚硬物体清洁表面。
2. 为了保证灶具的正常运行和良好的燃烧状态，必须定期使用刷子和钢针来疏通出火孔（槽），清除燃烧器上的污物，避免出火孔（槽）被堵塞引起回火，导致灶具损坏，不要用水清洗出火孔（槽）。
3. 定期检查盖及其座是否移位或偏离，并进行相应的纠正（将其放在合适的位置），以避免事故的发生。



A、大燃烧器
B、中燃烧器
C、小燃烧器

D、微小燃烧器
E、旋钮

G、电极针
H、热电偶
I、旋钮控制对应的炉头

(图片仅供参考，具体以实物为准。)

- ◆重要：1. 为了保证锅的稳定性和安全性，请不要使用尺寸小于100mm的锅，并且在使用尺寸为100mm的锅烹饪时，必须先将辅助锅架放在锅架上。
2. 75°保温火，天然气需使用C最小火状态；液化气需使用A最小火状态。

常见故障及处理方法

故障	原因	处理方法
点火不灵	气源开关未打开	关闭灶具旋钮开关，打开气源阀门
	燃气管路中混有空气	反复点火，排尽管路内的空气
	软管曲折、堵塞或压扁	拉直、疏通或更换软管
	电极针瓷头脏污	清洁瓷头
	电极针与接受端之间的距离不当	将电极针与接受端之间的距离调整至4mm左右
燃气点着火 松手后又熄灭	盖和铜座未放到位	盖和铜座必须放置到位
	旋钮未按压到底	点火后，按住旋钮开关3~5秒（压到底）后松开
燃气泄漏 (有燃气臭味)	旋钮开关未关好	关好旋钮开关
	软管未接好或有裂纹	接好软管或更换软管
燃烧不正 常或有噪音	燃烧器或出火孔堵塞	消除堵塞物
	使用的气源与灶具所标注的气源不符	更换喷嘴
	燃气压力不稳定，软管中有水	清除软管中的水

附 件

附件名称	数量
说明书	1
压力调节器	1
进气弯头	1
非石棉垫圈	2
挖孔样板	1
辅助锅架	1
固定挂钩	4
M4×12螺钉	4
M4×50螺钉 (配套螺母)	4



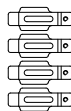
压力调节器



进气弯头



辅助锅架



固定挂钩



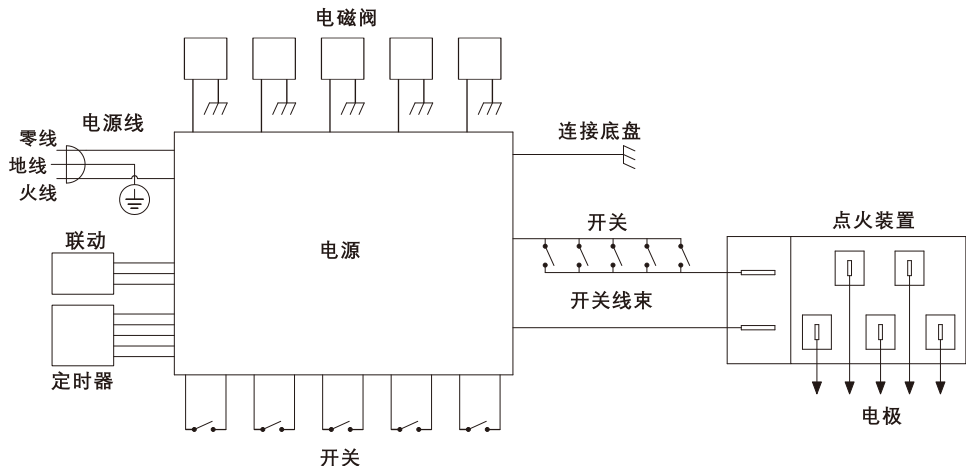
M4×12螺钉



M4×50螺钉
(配套螺母)

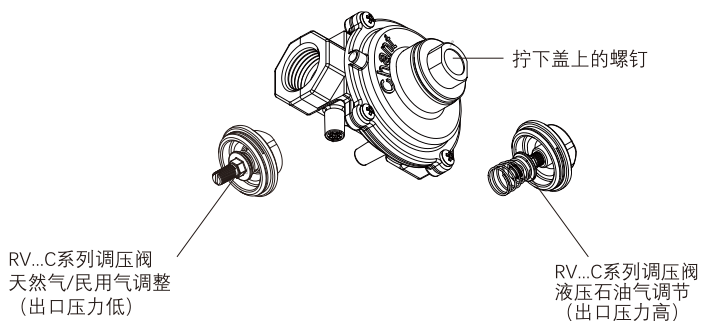
电气原理图

注意：本灶具安装之后，应该能够接近电源连接点。



设置压力调节器

注意：压力调节器默认为天然气压力设置。如果需要使用液压石油气，请拧下盖子上的螺钉进行转换。



电气连接

警告！



触电危险

插入接地的三插脚插座。
不要拆卸接地插脚。
不要使用适配器。
不遵守这些指示可能导致死亡、
火灾或触电。

警告 非常重要

在进行任何维护操作之前，
请将本灶具从主电源上断
开。

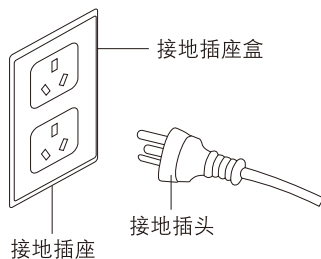
如果规范允许且使用了单独的地线，建议由有资质的电工确定接地线路是否合理。如果您不确定灶具是否正确接地，请向有资质的电工咨询。不要通过燃气管接地。

插座必须经过有资质的电工的检查，查看其接线极性是否正确。

本灶具安装时，必须按照当地规范接地。

推荐的接地方法

为了您的人身安全，本灶具必须接地。本灶具配有一个三插脚接地插头。为了将可能发生的触电危险降到最低，必须将电源线插入与之匹配的三插脚接地式插座中，并根据当地规范和有关条例接地。如果没有配套的插座，用户需要请有资质的电工安装正确极化和接地的三插脚插座，这是用户的个人责任和义务。



售后服务

如有无法轻松修复的故障，请与当地代理商联系，联系方式如下：

请在联系时注明您的灶具型号和序列号。

条形码：

贴随机提供的额外铭牌和条形码处。确保型号与使用说明书背面的型号相同。

新西兰：0426771688

维多利亚：1300076226 / 0452576226

昆士兰：

布里斯班：0732991818

黄金海岸：0478518623

西澳大利亚：0449911508

南澳大利亚：0422356720

新西兰：0800 276 226

Edition: A/1

Publication Date: Jan, 13, 2025

ROBAM