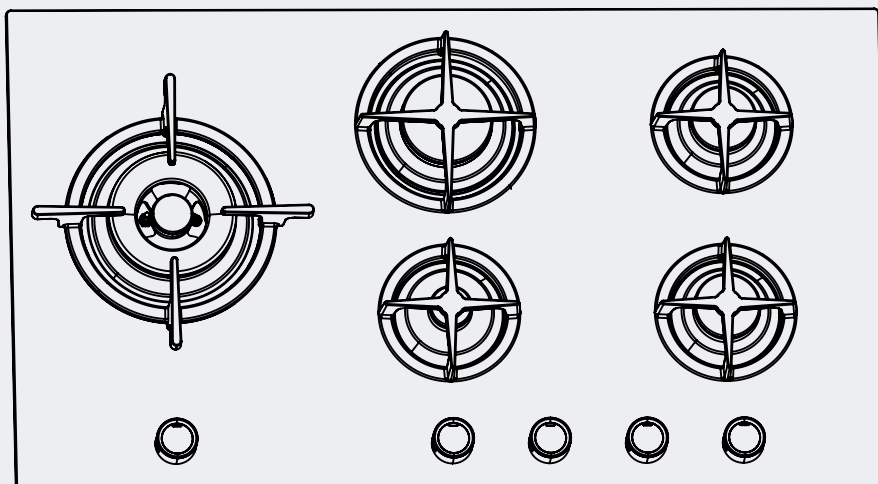


使用说明书
User Manual



如果说明书丢失，您可以发送电子邮件至overseas.robam.com，获取电子说明书。
If the manual is lost, you can send e-mail to overseas@robam.com, request for an electronic manual.

JZY-ZB61H70 JZY-ZB91H71 JZY-ZB91H72 JZY-ZG81H60
JZT-ZB61H70 JZT-ZB91H71 JZT-ZB91H72 JZT-ZG81H60

嵌入式家用燃气灶
Gas Hob

Contents

Important Safety Information.....	1
Technical Information	3
Installation Instruction.....	3
Operation Methods	9
Clean And Maintenance.....	11
Common Faults And Solutions	13
Accessories	13
Circuit Diagram	14
Substituting The Injectors	15
Electrical Connection	16
After Sale Service	17

Important Safety Information



THIS PRODUCT BELONGS TO THE EMBEDDED HOUSEHOLD GAS STOVE, YOUR SAFETY IS OF THE UTMOST IMPORTANCE TO HANGZHOU ROBAM APPLIANCES CO.,LTD.PLEASE MAKE SURE THAT YOU READ THIS INSTRUCTION BOOKLET BEFORE ATTEMPTING TO INSTALL OR USE THE APPLIANCE. IF YOU ARE UNSURE OF ANY OF THE INFORMATION CONTAINED IN THIS BOOKLET PLEASE CONTACT THE HANGZHOU ROBAM APPLIANCES CO.,LTD.

General Information

- ◆ This appliance is designed for domestic household use and for the cooking and frying of domestic foodstuffs.
- ◆ **IMPORTANT** : The adjacent furniture and all materials used in the installation must be able to withstand a minimum temperature of 85°C above the ambient temperature of the room it is located in, whilst in use.
- ◆ Certain types of vinyl or laminate kitchen furniture are particularly prone to heat damage or discolouration at temperatures below the guidelines given above.
- ◆ Any damage caused by the appliance being installed in contravention of this temperature limit, will be the liability of the owner.
- ◆ Your new appliance is guaranteed against electrical or mechanical defects, subject to certain exclusions that are noted in HANG ZHOU ROBAM APPLIANCES CO.,LTD.conditions of guarantee.The foregoing does not affect your statutory rights.
- ◆ The use of this appliance for any other purpose or in any other environment without the express agreement of HANG ZHOU ROBAM APPLIANCES CO.,LTD.will invalidate any warranty or liability claim.
- ◆ You should not use this appliance to store items on or as a work surface;Do Not Modify This appliance.
- ◆ Warning do not use the appliance in freezing conditions.
- ◆ You should not store or place flammable or highly flammable liquids/materials on top of or near the appliance. Items made from aluminium, plastic or plastic film should also be kept away from the appliance, as they may fuse to the surface.
- ◆ Repairs may only be carried out by HANG ZHOU ROBAM APPLIANCES CO.,LTD.service engineers or their authorised service agent.

General Safety

- ◆ Installation must be carried out by an AUTHORISED PERSON in accordance with the regulation in force.
- ◆ Care should be taken to ensure that the units and work surfaces that you build the appliance into, meet with The relevant standards.
- ◆ This appliance is not intended for use by persons(including children)with reduced physical, sensory or mental capabilities,or lack of experience and knowledge,unless they have been given supervision or instruction concerning use of the appliance by a person responsible for their safety.
- ◆ Do not use or store flammable materials in the appliance storage drawer or near this appliance.
- ◆ Do not spray aerosols in the vicinity of this appliance while it is in operation.
- ◆ This appliance can not be used in common shared facilities or commercial facilities within hotels, motels or outdoor.
- ◆ Do not use this appliance as a space heater.
- ◆ If the supply cord is damaged, it must be replaced by the manufacturer, its service agent or similarly qualified persons in order to avoid a hazard.
- ◆ Incorrect installation, for which the manufacturer accepts no responsibility, may cause personal injury or damage and could invalidate any warranty or liability claims.
- ◆ Installation must comply with your local building and local gas authority codes and electricity regulations.
- ◆ This appliance is to be installed and serviced only by an authorised person.
- ◆ This gas appliance is suitable for connection only to the gas type for which it was set at the factory, as declared on the appliance data label. It is not convertible for use on any other gas type. If in doubt, refer to the local gas network operator or gas supplier to confirm gas type at installation site.

WARNING: 240 VOLTS DISCONNECT POWER BEFORE SERVICING UNIT.

Child Safety

- ◆ HANGZHOU ROBAM APPLIANCES CO.,LTD. strongly recommend that babies and young children are prevented from being near to the appliance and not allowed to touch the appliance at any time. During and after use, all surfaces will be hot.
- ◆ If it is necessary for younger family members to be in the kitchen, please ensure that they are kept under close supervision at all times.
- ◆ Older children should only be allowed to utilise the appliance when supervised.
- ◆ Children should be supervised to ensure that they do not play with the appliance.

During use

- ◆ Any film or stickers that are present on the hob surface when it is delivered should be removed before use.
- ◆ These instructions are only valid if the country symbol appears on the appliance. If the symbol does not appear on the appliance, it is necessary to refer to the technical instructions, which will provide the necessary instructions concerning modification of the appliance to the conditions of use of the country.
- ◆ Prior to installation, ensure that the local distribution conditions (nature of the gas and gas pressure) and the adjustment of the appliance are compatible.
- ◆ The adjustment conditions for this appliance are stated on the label (or data plate).
- ◆ This appliance is not connected to a combustion product evacuation device. It shall be installed and connected in accordance with current installation regulations. Particular attention shall be given to the relevant requirements regarding ventilation.
- ◆ **CAUTION** : The use of a gas cooking appliance results in the production of heat and moisture in the room in which it is installed. Ensure the kitchen is well ventilated, keep natural ventilation holes open or install a mechanical ventilation device (mechanical extractor hood).
- ◆ **CAUTION** : This appliance is for cooking purposes only. It must not be used for other purposes, for example room heating.
- ◆ Prolonged intensive use of the appliance may call for additional ventilation, for example opening of a window or more effective ventilation, for example increasing the level of mechanical ventilation where present.
- ◆ Care should be used when utilising the appliance, otherwise there is a risk of burns being caused.
- ◆ You should not allow the electrical connection cables to come into contact with the hob surface when it is hot or any hot cookware.
- ◆ If fat and oil overheats, then it can ignite extremely quickly. For this reason, when cooking with fat and oil the appliance should not be left unattended. Make sure that all of the cooking zones are switched off after use.



Do not place anything (e.g. a flame tamer or an asbestos mat) between the pan and pan support, as serious damage to the appliance may result.



Do not remove the pan support and enclose the burner with a wok stand, as this will concentrate and deflect the heat onto the hotplate.



Do not use large pots or heavy weights that can bend the pan support or deflect flame onto the hotplate.



Locate the pan centrally over the burner so that it is stable and does not overhang the appliance.



Use only a wok support supplied or recommended by the manufacturer of the appliance.

Technical Information

JZY(T)-ZB/ZG****series

Burner	NATURALGAS(NG)@1.0kPa		U.L.P.GAS@2.75kPa	
	INJECTOR SIZE(mm)	NOMINALGAS CONSUMPTION	INJECTOR SIZE (mm)	NOMINALGAS CONSUMPTION
WOK	1.48*2+0.80	22.0 MJ/h	0.75 *2+ 0.46	18.0 MJ/h
Rapid	1.45	10.5 MJ/h	0.85	10.2 MJ/h
Semi -Rapid	1.05	6.0 MJ/h	0.67	6.0MJ/h
Auxiliary	0.85	3.6MJ/h	0.50	3.2MJ/h

- 1.All the parameters in table are provided for reference only and subject to the specific data on the nameplate of Gas Hob.
- 2.The opening size of embedded stove shall subject to the cut-out size in manual.
- 3.The Company reserves the rights of modifying products' designs and specifications.
- 4.Connection: Rp1/2"(ISO R7).
- 5.Important: for safety, for the correct regulation of gas use and durabilityof the a ppliance, ensure that the gas pressure conforms to the indicationsgiven in table "Nozzle and burner characteristics".

Installation Instruction

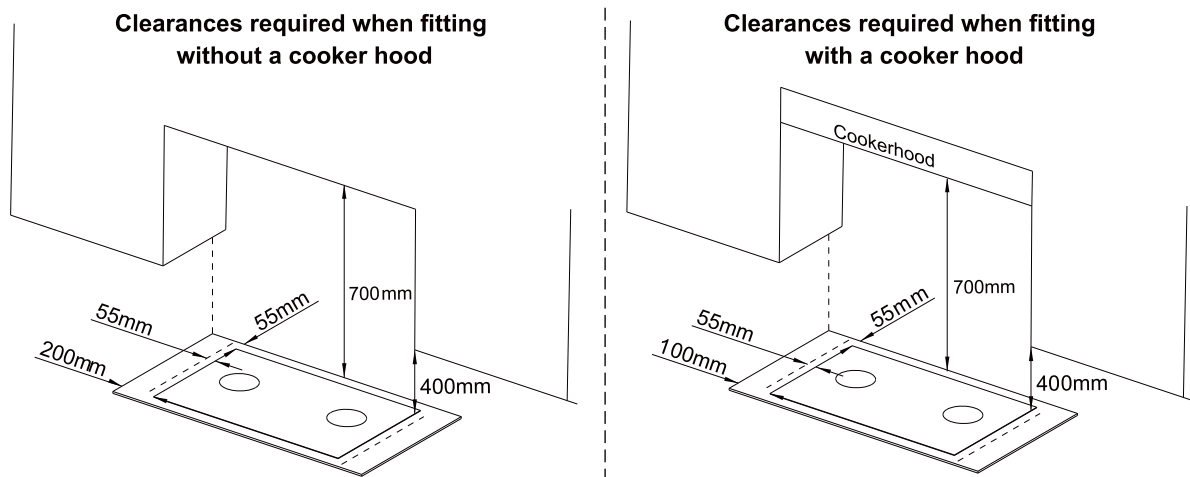


- ▶ THE INSTALLATION MUST BE CARRIED OUT BY AN AUTHORISED PERSON, IN ACCORDANCE WITH THE CURRENT VERSION OF THE FOLLOWING.
- ▶FOR APPLIANCE INTENDED FOR USE WITH A FLEXIBLE CONNECTION TO A FIXED GAS SUPPLY SYSTEM, PLEASE CONFIRM THE GAS TYPE WITH THE LOCAL GAS SUPPLIER IF IN DOUBT.
- ▶THIS APPLIANCE MUST BE CORRECTLY INSTALLED BY ANAUTHORISED PERSON STRICTLY IN ACCORDANCE WITH THE MANUFACTURERS INSTRUCTIONS AND THE RELEVANT STANDARDS.
- ▶PLEASE SEE THE SPECIFIC SECTION OF THIS BOOKLET THAT REFERS TO INSTALLATION.

- ◆ HANGZHOU ROBAM APPLIANCES CO.,LTD. not responsible for any personal injury or property damage caused by improper use or improper installation.
- ◆ HANGZHOU ROBAM APPLIANCES CO.,LTD. not recommend that this appliance is installed on any type of marine vessel.
- ◆ All installation instructions need to meet the following requirements.
- ◆ Gas Safety Regulations..
- ◆ Building Regulations.
- ◆ Building Standards.
- ◆ IEE Wiring Regulations.
- ◆ Installation Of Domestic Gas Hob Appliance.
- ◆ HANGZHOU ROBAM APPLIANCES CO, LTD.Installation Instructions.
- ◆ AS/NZS 5601.1.

Positioning

The adjacent furniture must be able to withstand a minimum temperature rise of 65°C above the ambient temperature of the room it is located in during periods of use.



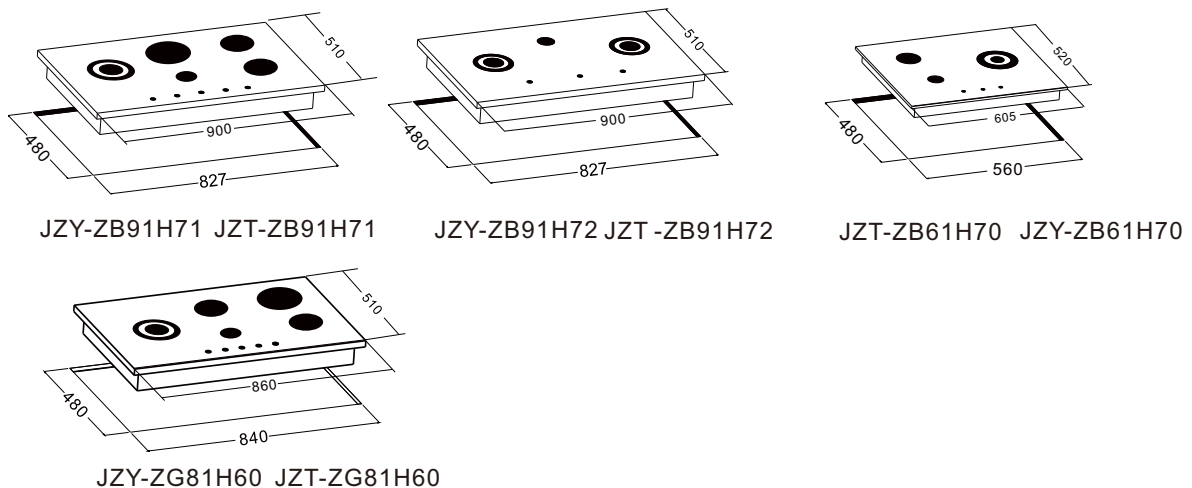
This appliance is classified as class 3 and therefore is to be built into a kitchen unit (depending on size or 600mm worktop), providing the following minimum distances are allowed:

- ◆ The edges of the hob must be a minimum distance of 55 mm from a side or rear wall.
- ◆ 700 mm between the highest point of the hob surface (including the burners) and the underside of any horizontal surface directly above it.
- ◆ 400 mm between the hob surfaces, providing that the underside of the horizontal surface is in line with the outer edge of the hob. If the underside of the horizontal surface is lower than 400 mm then it must be at least 55 mm away from the outer edges of the hob.
- ◆ 55 mm clearance around the appliance and between the hob surface and any combustible materials.
- ◆ This appliance can be located in a kitchen.

IMPORTANT: The appliance must not be installed in a bathroom or shower room.

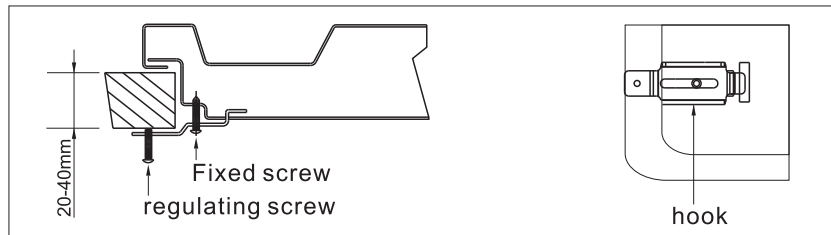
INSTALLATION INTO THE CABINET

Please take the cut-out size (tolerance: $\pm 3\text{mm}$) according to the cooktop dimension.

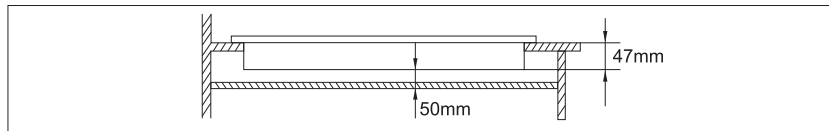


- ◆ Cut a hole in the worktop that corresponds with the relevant drawing on the previous page.

Fixing hooks are provided which allow to place the hob plate on work tops that measures from 20mm to 40mm in thickness. To obtain a good fixing of the hob plate it is advisable to use all the hooks supplied.



- ◆ **IMPORTANT:** You must have a gap of at least **50 mm** between the underneath of the appliance and any surface that is below it.



- ◆ The minimum clearance from a combustible surface shall be a 200 mm horizontal distance from the periphery of any gas burner (AS/NZS 5601.1).

Important information

- ◆ The hob must be installed by a qualified person, in accordance with the current edition of the gas safety (Installation and use) (amendment) regulations and the relevant building/I.E.E. regulations.
- ◆ Failure to install the appliance correctly could invalidate HANGZHOU ROBAM APPLIANCES CO.,LTD. guarantee and lead to prosecution under the regulations quoted above.
- ◆ An **AUTHORISED PERSON** undertake the installation and service work, in compliance with the above regulations.

Ventilation requirements

- ◆ The room containing the hob should have an air supply in accordance with the current edition of AS/NZS.5601.1
- ◆ The room must have opening windows or equivalent; some rooms may also require a permanent vent.
- ◆ If the room has a volume between 5 and 10m³, it will require an air vent of 50cm²(effective area). Unless it has a door which opens directly to the outside.
- ◆ If the room has a volume of less than 5m³, it will require an air vent of 100cm²(effective area).
- ◆ If it is installed in a room with a volume that exceeds 11m³, then no air vent is required.
- ◆ If there are any other fuel burning appliance in the same room the current edition of AS/NZS 5601.1 should be consulted to determine air vent requirements.
- ◆ Ensure that the room containing the hob is well ventilated, keep natural ventilation holes or install a mechanical ventilation device(mechanical cooker hood).
- ◆ Prolonged intensive use of the appliance may call for additional ventilation, either by the opening of a window ,or by increasing the level of the mechanical ventilation device(where present).
- ◆ This hob is not fitted with a device for discharging the products of combustion. Ensure that the ventilation rules and regulations are followed.

- ◆ The walls behind and near the hob should be resistant to heat, steam and condensation.
- ◆ Remember that the quantity of air necessary for combustion must never be less than 2m³/h for each kW of power (see total power in kW on the appliance rating plate).

Gas Safety(Installation and Use)Regulations

IMPORTANT:The appliance must be connected to the gas supply by use of a 15 mm x 1/2 " conical thread female.coupler ,seal ,copper pipe .

- ◆ It is the law that all gas appliance are installed by competent persons in accordance with the current edition of the gas safety installation and use regulations.
- ◆ It is in your interest and that of safety to ensure compliance with the law.
- ◆ An **AUTHORISED PERSON**work to safe standards of practice. The hob must also be installed in accordance with the current edition of AS/NZS 5601.1 Failure to install the cooker correctly could invalidate the warranty, liability claims and lead to prosecution.

Note :Injector or cone end fittings dependant on the national situations in countries of destination.

Note :Cylinder ,regulator type ,gas type and gas pressure dependant on the national situations in countries of destination.

Gas connection



- ▶ THIS APPLIANCE MUST BE INSTALLED BY A COMPETENT PERSON IN ACCORDANCE WITH THE CURRENT VERSIONS OF THE FOLLOWING.
- ▶ HOSE ASSEMBLY MUST BE RESTRAINED TO PREVENT ACCIDENTAL CONTACT WITH THE FLUE OF AN UNDERBENCH OVEN.

◆ Flexibility hose connection

The flexibility hose must be certified to AS/NZS1869 - class B or class D.The inner Ø must be 10mm and the maximum length 1.2m(The gas connection has a Rp 1/2 " conical thread).

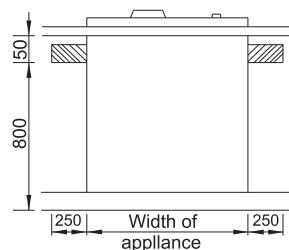
Any hose assembly used must be restrained from accidental contact with the flue outlet of an under bench oven .This hose assembly shall be suitable for connection to a fixed consumer piping outlet located as follows: Hotplates at a point 800 mm to 850 mm above the floor and in the region outside the width of the appliance to a distance of 250 mm.

Caution!

The cooktop becomes very hot during operation. Keep children well out of reach.

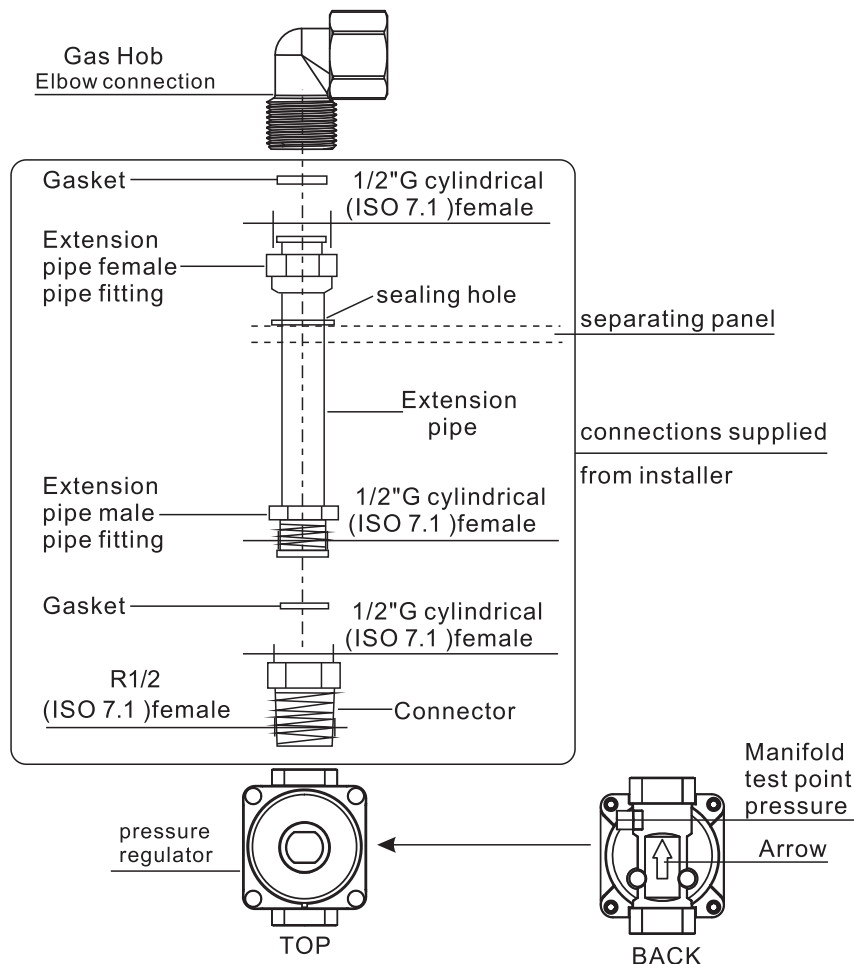
The dual-ring burner need to put the wok stand used together, otherwise it will prone to danger.

Remove any protective wrapping and stickers (but not the data plate) before installing.



Inlet connection region for flexible hose

Installation diagram



WARNING check the right positioning of the gas regulator. The arrow on the back of the gas regulator must be oriented toward the connector.

IMPORTANT: On completion carry out a gas leakage test.

After installation don't rotate fixed screw nut connecting with inlet gas pipe arbitrary. It must be tested leakage after rotating the direction or inlet gas pipe. (Method: Paint tenuous and neuter cleaning solution on the connecting part then open the valve. If there is air bladder, please close the valve and tighten screw nut, test it again until there is nothing leakage).

Test the appliance

After installing the cooktop, ignite all burners to check that they are operating correctly

- The flame must not go out on the lowest setting, or when the control is turned quickly from the highest to the lowest setting.
- On the highest setting, the flame must have a distinctive and visible core.
- If any problem occurs, refer to the common faults and solutions.



Note:

- ◆ Before you begin, turn off the gas and electricity supply.
- ◆ The gas pressure must be set by an approved gas fitter and a full operational test and a test for possible leakages must be carried out by the gas fitter after installation.
- ◆ The gas pressure must be set by the approved gas fitter as shown on the data plate natural gas 1kPa.
- ◆ Minimum flow adjustment is no need, because minimum flow has been adjusted when manufacturing. If the minimum flow is not working properly, please contact local dealer to solve the problem.

Gas tap maintenance

These maintenance operations must only be carried out by an AUTHORISED PERSON.

IMPORTANT: Before carrying out any maintenance operations, disconnect the appliance from the gas and electricity supplies.

If a gas tap becomes stiff to operate, then you should proceed as follows:

- ◆ Remove the control knobs, pan supports, burners, hob fixing screws and clamps.
- ◆ Remove the hob from the worktop and remove any underside protective covers.
- ◆ Disconnect the fixings holding the tap to the fascia panel and separate the assembly. then clean the cone and seating, with a cloth dampened with solvent.
- ◆ Lightly smear the cone with high temperature grease, reassemble into position and rotate a few times.
- ◆ Remove the cone again and remove any excess grease, making sure that the gas ducts are not obstructed with grease.

Carefully reassemble the components and perform a gas leakage test. If it becomes necessary to replace a gas tap, then you should proceed as follows:

- ◆ Remove the control knobs, pan supports, burners, hob fixing screws and clamps.
- ◆ Remove the hob from the worktop and remove any underside protective covers.
- ◆ Disconnect the fixings holding the tap to the fascia panel and separate the assembly.
- ◆ Disconnect the gas pipe from the gas tap, and then disassemble them from the gas rail by removing the fixing screws.
- ◆ When fitting a new tap, ensure that a new gasket is used.
- ◆ Reconnect the gas tap, perform a gas leakage test and then reassemble the hob.

My appliance isn't working correctly

DO NOT ATTEMPT TO REPAIR THE APPLIANCE YOURSELF.

- ◆ Please note that if an engineer is asked to attend whilst the product is under guarantee and finds that the problem is not the result of an appliance fault, then you may be liable for the cost of the call out charge.
- ◆ The appliance must be accessible for the engineer to perform any necessary repair. If your appliance is installed in such a way that an engineer is concerned that damage will be caused to the appliance or your kitchen, then he will not complete a repair.
- ◆ Please refer to the conditions of guarantee that appear on the warranty card that you receive with the appliance.
- ◆ **IMPORTANT:** HANGZHOU ROBAM APPLIANCES CO.,LTD.operates a policy of continuous improvement and reserves the right to adjust and modify its products without prior notification.

Operation Methods

Before first use



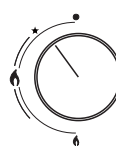
YOU SHOULD CLEAN THE HOB SURFACE(SEE "CLEANING AND MAINTENANCE"SECTION).

The following symbols will appear on the control panel, next to each control knob:

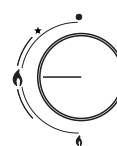
- :Gas Off
- ★ :Ignition position
- 🔥 :Maximum Setting
- ⚙️ :Minimum Setting



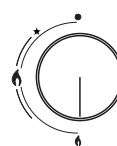
Picture 1



Picture 2



Picture 3



Picture 4

- ◆ The minimum setting is at the end of the anti clockwise rotation of the control knob.
- ◆ All operation positions must be selected between the maximum and minimum position.
- ◆ Never select a knob position between the maximum and off position.
- ◆ The symbol on the control panel next to the control knob will indicate which gas burner it operates. Automatic ignition with flame failure safety device the appliance is fitted with a flame failure safety device on each burner, which is designed to stop the flow of gas to the burner head in the event of the flame going out.

To ignite a burner

- ◆ Check if the burner cap and spreader or other parts are positioned correctly and confirm the knob button(Picture 1) position.
- ◆ If you keep the control knob depressed the automatic ignition for the burner will operate.
- ◆ Ignition:Press the control button then contrarotate 90 degree accordingly, it's Large flame.You should hold down the control knob for 15 seconds after the flame on the burner has lit. If after 15s the burner has not lit, stop operating the device and open the compartment door and wait at least 1 min before attempting a further ignition of the burner.
- ◆ After this 15 second interval to regulate the flame you should continue turning the control knob anti clockwise until the flame is at a suitable level .The operating position must be at a position between the maximum position (Picture 3)and minimum position(Picture 4).
- ◆ To switch the burner off turn the control knob fully clockwise to the gas off position.
- ◆ In case of power failure the burners can be lit by carefully using a match.
- ◆ Extinguish: the burner will be extinguished when the knob turn to(Picture1) the position.
- ◆ The use method of hob at low temperature is the same as in normal temperature.

Energy saving tips

Burners	Pan Size	
	ømin	ømax
WOK	260 mm	280 mm
Rapid	220 mm	240 mm
Semi-Rapid	160 mm	200 mm
Auxiliary	120 mm	140 mm

- ◆ The diametre of the bottom of the pan should correspond to that of the burner.



- ◆ The burner flame must never extend beyond the diametre of the pan.
- ◆ When possible keep a lid on the pan whilst cooking.
- ◆ Cook vegetables with as little water as possible to reduce cooking times.

IMPORTANT:Always place pans centrally over the hob burners and position them so that the handles cannot get accidentally caught or knocked off. You should also make sure that the handle is not over one of the other hob burner flames.

Connective Function

When the cooker hood is power on, press down “light and air flow slider leftmost” control 2seconds (to start connection pairing).



The buzzer beeps once to enter the pairing mode, the icons of light and air flow slider leftmost control blink slowly once per second. After connected, the icons will be steady on 3seconds then off. If failed to connect within 3 minutes or failed to pair, the icons would be displayed off to close the pairing process.

During the pairing process or after connected, press down the “light and air volume slider leftmost” control



, then can cancel the pairing or disconnect the connection.

After connected, ignite the burner of gas hob: If cooker hood was not working or less than HIGH speed flow, it would be connective and start HIGH speed flow; Switch off the burners of gas hob (all the burners are off fire): The cooker hood which is still on working will be connective and delay off 1 minute if without any operation within this time, otherwise will be into off mode directly.

Note:

- ◆ The connective function can be started only when the cooker hood is power on, then cooker hood and gas hob can be used together.
- ◆ If the connection failed, please unplug the power supply, and restart the pairing after 5 minutes or contact with after sale service.

Clean And Maintenance

Cleaning



CLEANING OPERATIONS MUST ONLY BE CARRIED OUT WHEN THE HOB IS COOL. THE APPLIANCE SHOULD BE DISCONNECTED FROM YOUR MAINS SUPPLY BEFORE COMMENCING ANY CLEANING PROCESS.

- ◆ Cleaning of the hob should be carried out on a regular basis, and suggest take a full check every 12 months.
- ◆ Before attempting to clean the appliance, it should be disconnected from the mains and cool.
- ◆ Great care should be taken whilst using this appliance and when following the cleaning procedure.
- ◆ You should not use a steam jet or any other high pressure cleaning equipment to clean the appliance.

After each use

- ◆ Remove the pan stands and wipe the appliance over with a soft, damp cloth that has been put into warm soapy water. The cloth should be wrung out after being taken out of the soapy water.
- ◆ Dry the appliance by rubbing the surface with a soft, clean cloth.
- ◆ We would recommend that an appropriate stainless steel cleaner and polish is regularly used on the stainless steel surfaces of this appliance.

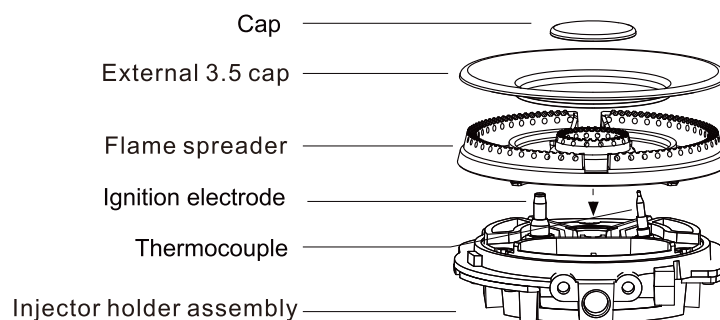
Cleaning the hob top

- ◆ Any residues that are left on the hob top surface from cleaning agents will damage it. you should remove any residues with warm soapy water.
- ◆ Abrasive cleaners or sharp objects will damage the hob surface you should clean it using warm soapy water.
- ◆ Although it is easier to clean some deposits whilst the hob surface is still warm, make sure that the hob surface, pan supports and hob burners have all cooled sufficiently before you attempt to touch them.

Cleaning the hob burners

- ◆ The hob burners should be cleaned once a week or more frequently if they get soiled.
- ◆ Remove the hob burners by pulling them upwards and away from the hob top.
- ◆ Soak them for about ten minutes in hot water and a little detergent.
- ◆ After cleaning and washing them wipe and dry them carefully.
- ◆ Before placing the burners back on the hob top make sure that the gas jet is not blocked.
- ◆ **IMPORTANT:** Make sure that you reassemble the burners in the original way.

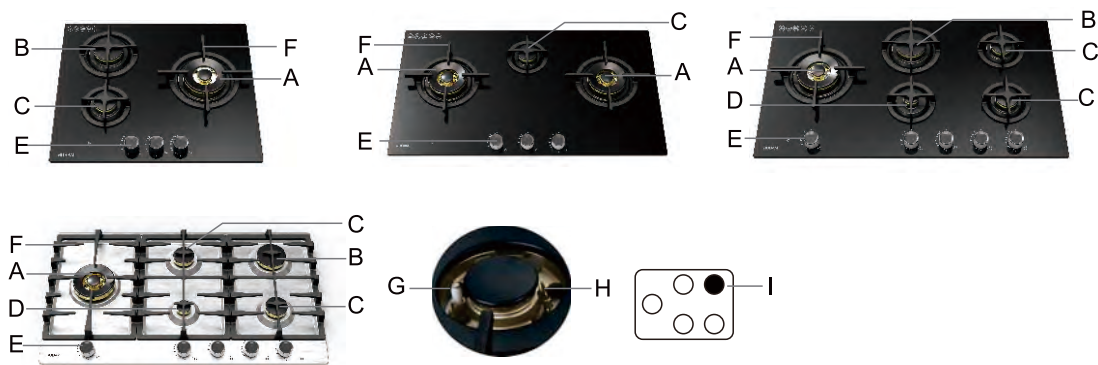
Make sure that the hob surface, pan stands and hob burners have cooled before you attempt to touch them.



(The figure is provided for reference only and subject to the actual product.)

ROBAM | Gas Hob

- 1.Surface maintenance: Please clean the surface of stove with neutral detergent and then wipe it with dry cloth. Do not clean the surface with wire brush or other hard objects.
- 2.In order to maintain the normal operation and good combustion status of the stove, brush and steel needle must be used regularly to unblock the flame outlet (groove) and remove the dirt on burners,so that stove damages by flareback due to blocked flame outlet (groove) can be avoided. Do not wash the flame outlet (groove) with water.
- 3.Check the burner cap and spreader their seats regularly for any displacement or deviation and carry out rectification accordingly (to put them in place) , so as to avoid the occurrence of accident.



- | | | |
|---------------------|--------------------|-------------------------------------|
| A、Wok burner | D、Auxiliary burner | G、Electrode needle |
| B、Rapid burner | E、Knob | H、Thermocouple |
| C、Semi-rapid burner | F、Pot rack | I、Knob control corresponding burner |

(The figure is provided for reference only and subject to the actual product.)

- ◆ **IMPORTANT** : Please do not use the pan less than 100mm size on Wok burner, and when using a 100mm size pan cooking on Wok burner, must first placed the Wok Ring on the pot rack.
- ◆ **Warning**:Wok Ring can be used on Wok Burner ONLY.

Common Faults And Solutions

Faults	Causes	Solutions
Ignition failure	The switch of gas source closes	Close the switch knob of stove and then open the valve of gas source
	Air in gas pipe	Carry out ignition repeatedly to exhaust the air in pipe
	Bending, blocking or pressing of hose	Straighten, unblock or replace the hose
	The porcelain head of ignition electrode is not clean	Clean the head
	Improper distance between the ignition electrode and the receiving end	Adjust the distance between the ignition electrode and the receiving end at around 4mm
Flame extinct after releasing	The burner cap and spreader are not in place	The burner cap and spreader must be put in place
	The throttle is so wide that causes lifted flame	Narrow down the throttle
	The knob is not pressed to the maximum extend	After ignition,hold and press the switch knob for 3~5 seconds(to the maximum extend)and then release it
Gas leakage (odor of gas)	The switch knob is not closed	Close the switch knob
	The hose is not proper connected or has cracks	Connect the hose properly or replace it
Abnormal combustion or noises	Improper adjustment of throttle	Adjust the throttle
	Blockage of burner or flame outlet	Remove the blockage
	The gas used is not in consistence with the gas type marked on stove	Select correct stove
	Unstable gas pressure,water in hose	Remove the water in hose

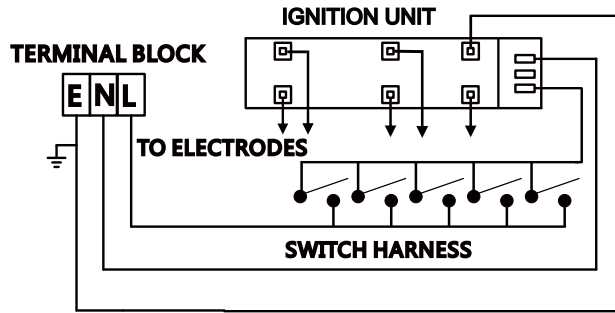
Accessories

Annex Name	Quantity
Manual	1
Ajustable Regulator	1

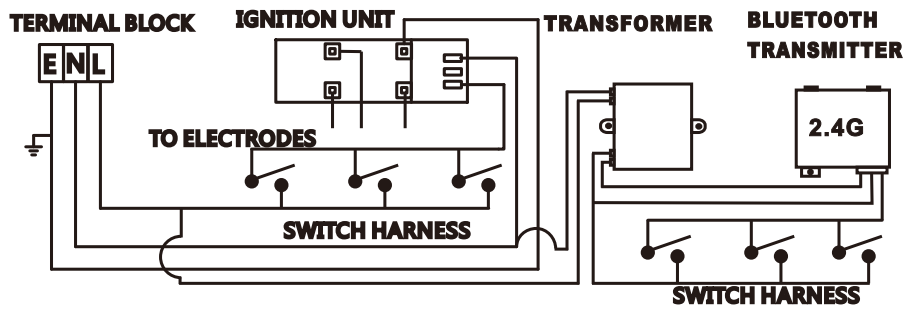


Ajustable Regulator

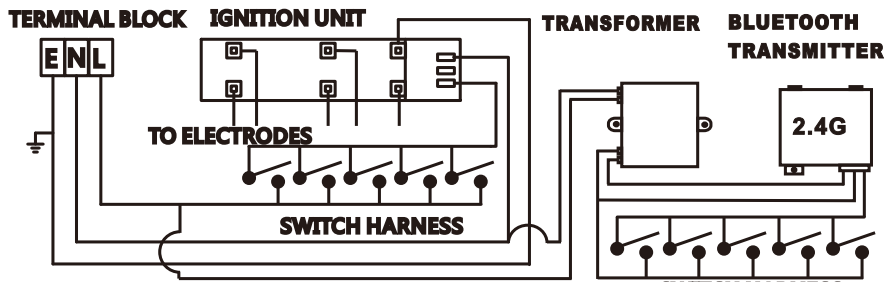
Circuit Diagram



JZY-ZG81H60
JZT-ZG81H60



JZY-ZB61H70 JZY-ZB91H72
JZT-ZB61H70 JZT-ZB91H72



JZY-ZB91H71
JZT-ZB91H71

Note: The supply connection point shall be accessible with the appliance installed.

SUBSTITUTING THE INJECTORS

- ◆ Warning: Gas type and/or Injector conversion must be done by authorised personnel.
- ◆ Remove the gratings, the burner covers and the knobs;
- ◆ Using a wrench substitute the nozzle injectors "J" (fig:5.4-5.5)

The burner are conceived in such a way so as not to require the regulation of the primary air.

REGULATING THE BURNER MINIMUM SETTING

When switching from one type of gas to another. The minimum Flow rate needs also be correct: the flame should not go out even When passing suddenly from maximum to minimum flame.

To regulate the flame follow the instructions below:

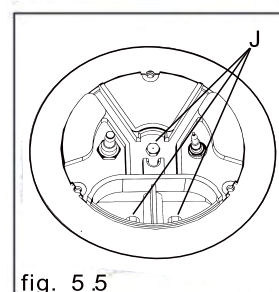
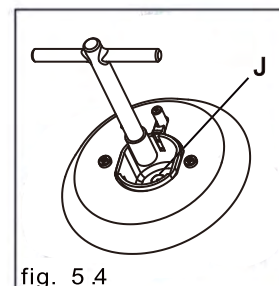
- ◆ Light the burner
- ◆ Set the gas valve to minimum

On gas valves provided with adjustment screw in the center of the shift (fig. 5.6). Using a screwdriver with max, diameter 3 mm. turn the screw inside the tap until the correct setting is obtained.

Manifold pressure should be checked with a manometer. NATURAL gas requires 1. 0kPa. and U. L. P. GAS requires 2.75 kPa. (see page 7).

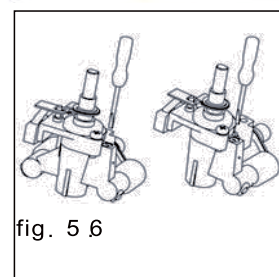
The installer adjusts the pressure regulator to the corresponding pressure according to the gas type and data plate.

Examples of a qualified person include licensed heating personnel, authorized gas company personnel, and authorized service personnel. Failure to do so can result in death, explosion, or fire.



TOOL NEEDED

- A, T-handle wrench
- B, wrench
- C, screwdriver



ELECTRICAL CONNECTION

WARNING!



Electrical Shock Hazard

Plug into a grounded 3-prong outlet.
Do not remove ground prong.
Do not use an adapter.
Failure to follow these instructions.
Can result in death, fire or electrical shock.

If codes permit and a separate ground wire is used, it is recommended that a qualified electrician determine that the ground path is adequate. Check with a qualified electrician if you are not sure whether the cooktop is properly grounded. Do not ground to a gas pipe.

The outlet must be checked by a qualified electrician to see if it is wired with correct polarity.

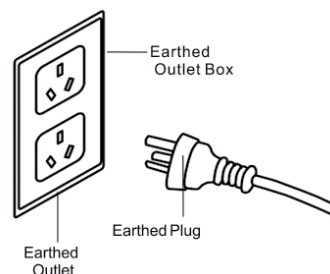
This appliance when installed, must be electrically grounded in accordance with local codes.

Recommended ground method

For your personal safety this cooktop must be grounded. This cooktop is equipped with a 3-prong ground plug. To minimize possible shock hazard, the cord must be plugged into a matching 3-prong ground-type outlet, grounded in accordance with the local codes and of ordinances. If a matching outlet is not available it is the personal responsibility and obligation of the customer to have a properly polarized and grounded 3-prong outlet installed by a qualified electrician.

WARNING VERY IMPORTANT

Before any operation of
Maintenance disconnect
the appliance from the
electrical main supply.



After Sale Service

In the event of any faults which you cannot easily remedy please contact local dealer to repair or replace them.

Please quote the model and serial number of your appliance when contacting

Bar code

Space in which to stick the extra data plate and bar code supplied with the appliance. Ensure that the model number is the same as the one on the back of these operating instructions.

目录

安全注意事项.....	18
产品性能参数.....	20
安装说明.....	20
使用方法.....	26
清洁维护注意事项.....	28
常见故障及处理方法.....	30
附件.....	30
电气原理图.....	31
气源转换.....	32
电气连接.....	33
售后服务.....	34

安全注意事项



本产品属于嵌入式家用燃气灶，您的安全对杭州老板电器股份有限公司至关重要。在尝试安装或使用该灶具之前，请务必阅读本说明书。如对本说明书所载的资料有任何疑问，请联络杭州老板电器股份有限公司。

基本信息

- ◆ 本产品是为家庭使用而设计的，适用于家庭食品的烹调和煎炸。
- ◆ 重要：邻近的家具和安装中所使用的材料必须能够承受 85°C 以上的温度。
- ◆ 某些类型的乙烯基或层压板厨房家具特别容易在上述规定温度下受热损坏或变色。
- ◆ 任何因安装的灶具违反本温度限制而造成的损坏，将由使用者负责。
- ◆ 您购买的新灶具保证没有电气或机械缺陷。
- ◆ 未经杭州老板电器股份有限公司明确同意，将本灶具用于任何其他目的或在任何其他环境中使用，将使保修或责任索赔失效。
- ◆ 您不应将此灶具用于储存物品，或者将其用作工作台面。
- ◆ 切勿改装本灶具。
- ◆ 您不应该在本灶具的顶部及附近储存或放置易燃或高度易燃的液体/材料。由铝、塑料或塑料薄膜制成的物品亦应远离本灶具，因为它们可能会熔合到表面。
- ◆ 维修只能由杭州老板电器股份有限公司的维修工程师或其授权的维修代理商执行。

通用安全

- ◆ 安装必须由有资质的人员根据现行法规进行。
- ◆ 应注意确保您用于安装本灶具的装置和工作台面符合相关标准。
- ◆ 本灶具不适合身体、感官或智力低下或缺乏经验和知识的人（包括儿童）使用，除非对其安全负有责任的人对其使用灶具进行了监督或指导。
- ◆ 切勿在本灶具的储物抽屉内或在本灶具附近使用存放易燃物品。
- ◆ 使用时，切勿在本灶具附近喷洒气溶胶。
- ◆ 切勿改装本灶具。
- ◆ 切勿将本灶具用作空间加热器。
- ◆ 如果电源线损坏，必须由制造商、其服务代理商或类似的专业人员更换，以避免危险。
- ◆ 安装不当可能导致人身伤害或损伤，并可能使保修或责任索赔失效，制造商对此不承担任何责任。
- ◆ 安装必须符合当地建筑和当地燃气管理局的规范和电力规定。
- ◆ 本灶具只能由有资质的人员安装和维修。
- ◆ 本灶具只适用于与灶具铭牌上声明的工厂设定的燃气类型连接。本灶具不能转换为本器具规定以外的其他燃气。如有疑问，请向当地燃气网络运营商或燃气供应商在安装现场确认燃气类型。

警告：在维修前断开本机电源（240V）

儿童安全

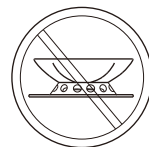
- ◆杭州老板电器股份有限公司强烈建议婴儿和幼儿不要靠近本灶具，任何时候都不要触摸本灶具。在使用期间和使用后，产品所有表面的温度都非常高。
- ◆如果需要让年龄较小的家庭成员呆在厨房，请确保他们始终都受到密切的监督。
- ◆年龄较大的儿童只有在有人监督的情况下才能使用本灶具。
- ◆儿童应当加以监督，以确保他们不会将本灶具当作玩具。

在使用过程中

- ◆贴在灶具表面上的薄膜或贴纸在使用前都应当拆除。
- ◆只有当国家符号出现在灶具上时，这些指令才有效。如果该符号没有出现在灶具上，则有必要参考技术说明，该技术说明将提供必要的关于修改灶具以适应该国使用条件的说明。
- ◆安装前，确保当地的气源条件（燃气性质和燃气压力）和灶具配置一致。
- ◆此灶具的配置条件在标签（铭牌）上有说明。
- ◆本灶具不应接近易燃物品。本灶具应按照现行安装法规安装和连接。应特别注意通风相关的规定。
- ◆**注意：**灶具的使用会在安装灶具的房间内产生热量和湿气。因此，需要确保厨房通风良好，保持自然通风孔打开或安装通风装置（吸油烟机）。
- ◆**注意：**本灶具只作烹饪之用。它不能用于其它目的（例如：房间供暖）。
- ◆长时间频繁使用本灶具可能需要额外的通风，例如打开窗户或更有效的通风，例如增加现有的通风水平。
- ◆使用本灶具时应小心谨慎，否则会有灼伤的危险。
- ◆电气连接电缆不能与温度较高的灶具或炊具表面接触。
- ◆烹饪时，本灶具不能无人看管。
- ◆确保所有烹饪区在使用后均已关闭。



切勿在锅和锅架之间放置任何东西（例如火焰调节器或石棉垫），以免对本灶具造成严重损坏。



切勿取下锅架，直接将炒菜锅架放在燃烧器上，因为这样会使热量集中并转移到灶具上。



切勿使用大锅或重物，否则会使锅架弯曲或使火焰转移到灶具上。



将锅放在燃烧器的中心位置，使其稳定，不能悬在本灶具上方。



只使用本灶具制造商提供或由其推荐的炒菜锅架。

产品性能参数

JZY(T)-ZB/ZG*****系列

燃烧器	天然气 (NG) 额定压力1.0kPa		液化气 (ULPG) 额定压力2.75kPa	
	喷嘴直径(mm)	额定耗气量	喷嘴直径(mm)	额定耗气量
大燃烧器	1.48*2+0.80	22.0MJ/h	0.75*2+0.46	18.0MJ/h
中燃烧器	1.45	10.5MJ/h	0.85	10.2MJ/h
小燃烧器	1.05	6.0MJ/h	0.67	6.0MJ/h
微小燃烧器	0.85	3.6MJ/h	0.5	3.2MJ/h

1. 表中所有参数仅供参考，以灶具铭牌上的具体数据为准。
2. 灶具的挖孔尺寸，以说明书开孔尺寸为准。
3. 本公司保留更改产品设计与规格的权利。
4. 燃气接口：Rp1/2" (ISO R7)。

重要事项:为了安全起见，以及正确的气体使用和灶具的耐用性，需确保气体压力符合表中“喷嘴和燃烧器特性”的指示。

安装说明



- ▶ 安装必须由有资质的人员按照下述现行版本进行。
- ▶ 对于与固定燃气供应系统柔性连接的灶具，如有疑问，请与当地燃气供应商确认燃气类型。
- ▶ 本灶具必须由有资质的人员严格按照制造商的说明和相关标准正确安装。
- ▶ 请参阅本说明书中安装相关的具体章节。

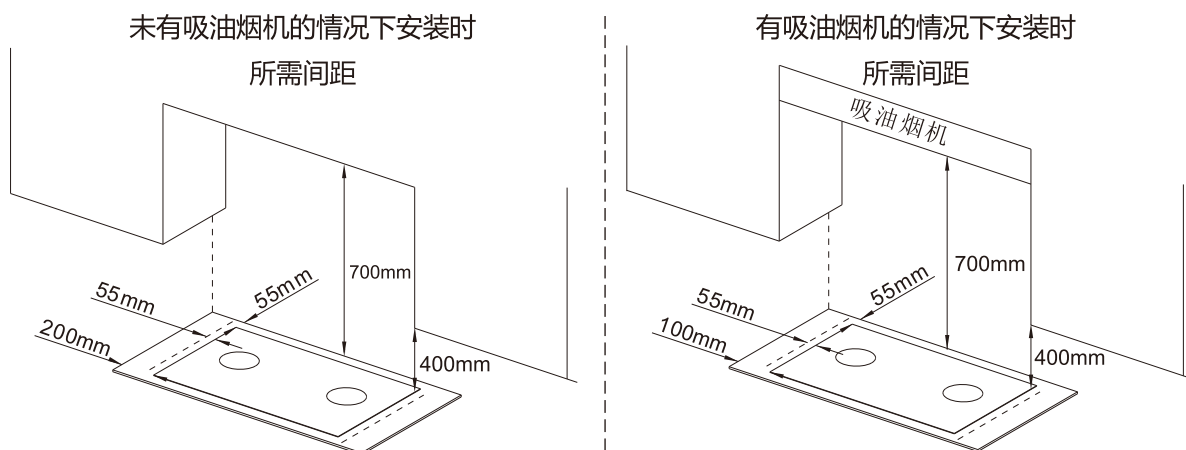
- ◆ 若因使用不当或安装不当而造成任何人身或财产损失，杭州老板电器股份有限公司概不负责。
- ◆ 杭州老板电器股份有限公司不建议将本灶具安装在任何类型的船舶上。

本灶具必须由有资质的人安装并遵守：

- ◆ 气体安全规则
- ◆ 建筑规则
- ◆ 建筑标准
- ◆ IEE布线规则
- ◆ 家用燃气灶安装要求
- ◆ 杭州老板电器股份有限公司的安装要求
- ◆ AN/NZS 5601.1

布置

邻近家具在使用期间必须能够承受比其所在房间环境温度至少高出 65°C 的温升。



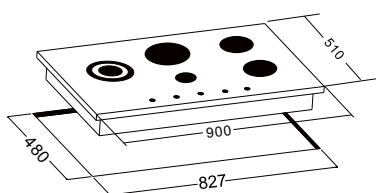
本灶具属3类电器，因此需要嵌入在橱柜（视尺寸而定）或深度为600mm的操作台面上，但应满足以下最小距离要求：

- ◆灶具的边缘与侧面或后部墙壁的距离必须至少为55mm。
- ◆灶具表面（包括燃烧器）最高点与其正上方水平表面底面之间的距离应当为700mm。
- ◆灶具表面与其正上方水平表面底面之间的距离至少应当为400mm，但前提是水平面的底面与灶具的外缘相一致。如果水平面底面与灶具表面的距离小于400mm，则其与灶具外缘至少应错开55mm。
- ◆灶具周围及灶具表面与任何可燃材料之间应当留有55mm的间距。
- ◆灶具可以放置在厨房内。

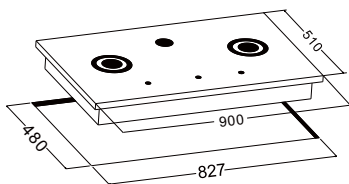
重要：本灶具不能安装在浴室或淋浴间。

安装到橱柜上

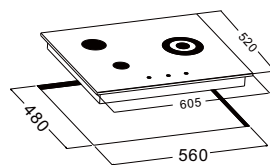
请根据产品尺寸选择开孔尺寸(公差:±3mm)



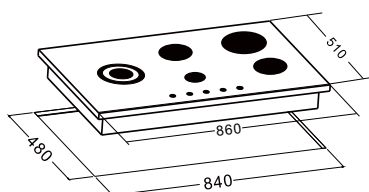
JZY-ZB91H71 JZT-ZB91H71



JZY-ZB91H72 JZT-ZB91H72



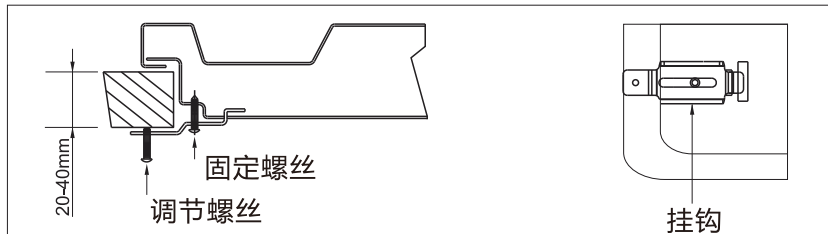
JZT-ZB61H70 JZY-ZB61H70



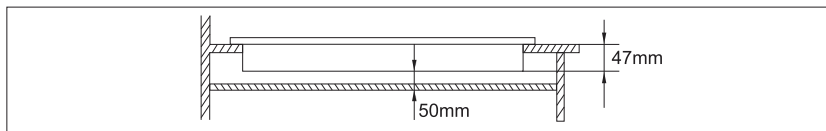
JZY-ZG81H60 JZT-ZG81H60

◆ 橱柜台面上开一个与上图相对应的孔。

灶具设有固定挂钩，可将灶具安装在厚度为20mm至40mm的台面上。为了将灶具固定好，建议使用所有提供的挂钩。



◆ **重要：** 本灶具底部与其下部表面之间的间隙至少应当为 50mm。



◆ 可燃物表面与燃气燃烧器四周的最小水平距离应当为200mm (AS/NZS 5601.1)。

重要信息

- ◆ 授权人员须按照根据现行版本《气体安全(安装及使用)(修订)规则》及有关建筑物/I.E.E.规则进行安装及维修工作。
- ◆ 不正确安装灶具可能会令杭州老板电器股份有限公司的保修条款失效，以及可能导致被起诉。
- ◆ 授权人员须按照上述规例进行安装及维修工作。

通风要求

- ◆ 装有灶具的房间应按照AN/NZS 5601.1的现行版本通风设计。
- ◆ 房间必须有开着的窗户或同等条件的窗户，有些房间可能还需要一个永久性的通气孔。
- ◆ 如果房间的容积在5至10m³，则需要50cm²（有效面积）的通风口，除非有一扇直接通向外面的门。
- ◆ 如果房间的容积小于5m³，则需要100cm²（有效面积）的通风口，如果房间的容积超过11m³，则不需要通风口。
- ◆ 如果在同一房间内有任何其他燃油燃烧器具，应参阅AS/NZS 5601.1现行版本，以确定通风口要求。
- ◆ 确保装有灶具的房间通风良好，保持自然通风孔打开或安装通风装置（吸油烟机）。
- ◆ 长时间频繁使用本灶具可能需要额外的通风，可以打开窗户，或增加机械通风装置（如有）。
- ◆ 本灶具未装配有排放燃烧废弃物的装置，确保遵守通风规则和制度。

- ◆本灶具后面和附近的墙壁应耐高温、蒸汽和冷凝。
- ◆请记住，燃烧所需的空气量每kW功率不得小于 $2\text{m}^3/\text{h}$ (参见产品上的铭牌总功率，单位为kW)。

气体安全（安装与使用）规例

重要：本灶具必须使用合适的 $15\text{mm}\times 1/2''$ 锥形内螺纹软管、密封圈、铜接头。

- ◆法规规定，所有灶具均由有资质的人员根据现行版本的燃气安全安装及使用规例安装。
- ◆为了确保您的利益和安全请遵守法律。
- ◆需有资质的人员按照安全标准工作。灶具也必须按照现行版本的AS/NZS 5601.1安装。不正确安装灶具可能会令保修、责任索赔失效，以及可能导致被起诉。

注：喷嘴及锥形端头装置取决于当地国家的自身状况。

注：气瓶、调压阀类型及气压取决于当地国家的自身状况。

燃气接管



- ▶本灶具必须由有资质的人员按照下述标准的现行版本安装；
- ▶软管组件必须加以限制，以防止与灶具底部的烤箱排气孔接触。

◆柔性软管连接

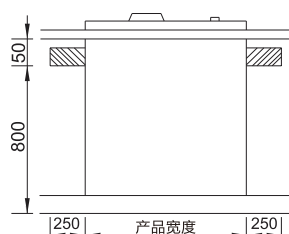
柔性软管必须经过AS/NZS 1869的B类或D类认证。内径必须为 10mm ，最大长度为 1.2m （燃气接管必须是 $\text{Rp}1/2''$ 锥形螺纹）。

所使用的所有软管组件都必须防止与灶具底部的烤箱排气孔接触。软管组件应该适用于连接到固定用户管道出口，其位置如下：地板上方 800mm 至 850mm 处，以及距离本灶具 250mm 区域处。

警告!

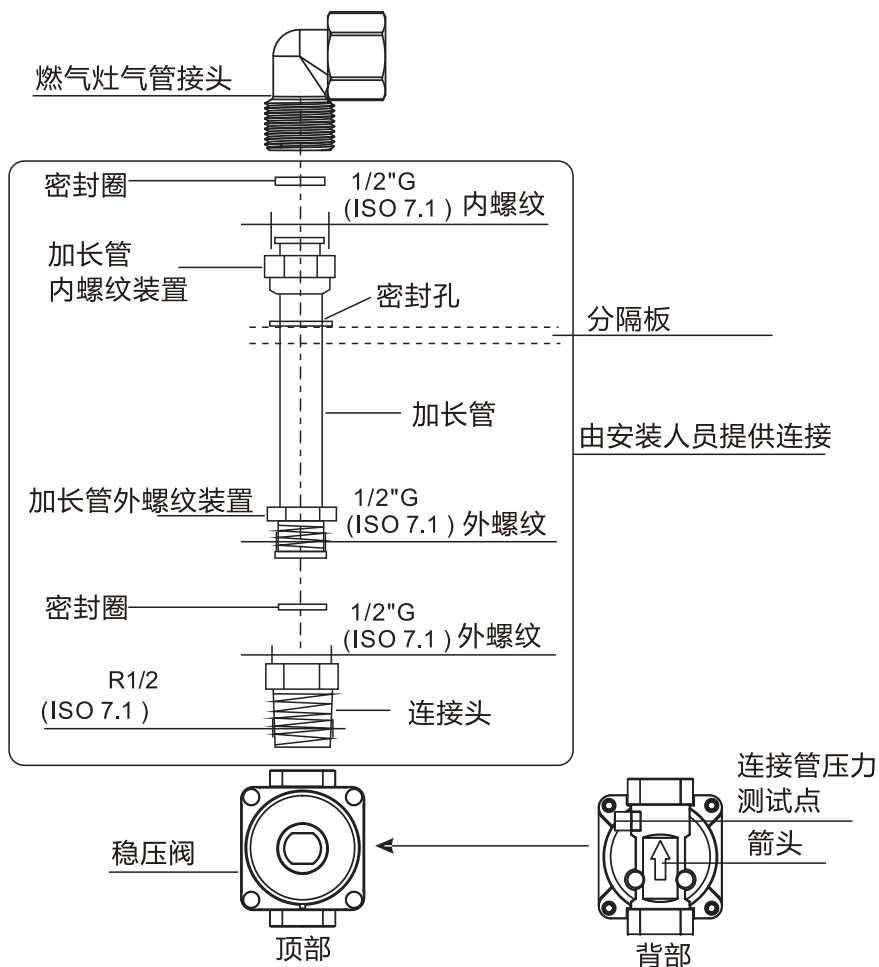
操作过程中，灶具会很热，请勿让儿童接近。

双环燃烧器需要放炒锅架一起使用，否则容易发生危险。安装前请拆掉任何保护包装及贴纸（但不要撕掉铭牌）。



软管进气连接区域

安装图



警告： 检查气体稳压阀的正确位置。稳压阀背部的箭头方向必须朝向连接头。

重要： 完成后进行漏气测试。

安装后不要随意转动与进气管连接的固定螺帽，必须进行泄漏检测。（方法：在连接部位涂抹少量中性清洗液，然后打开阀门，如果出现气泡，请关闭阀门并拧紧螺帽，再次测试直到没有泄漏为止）。

测试灶具

安装好灶具后，点燃所有的燃烧器，检查它们是否正常工作。

- 火焰不能在最小火时熄灭，也不能在大火快速切换到小火时熄灭。
- 在最大火时，火焰必须形成一个独特可见的焰芯。
- 如果出现任何问题，请参考“常见的故障和解决方法”。



正常
(燃烧良好)



黄焰
(空气不足)



离焰
(空气过多)

注意：

- ◆ 安装前必须关闭燃气和电源。
- ◆ 燃气压力必须由许可的燃气安装工设定，安装后必须由燃气安装工进行全面的操作测试和可能泄漏的测试。
- ◆ 燃气压力必须由许可的燃气安装工设定，如铭牌上所示的天然气的压力为1kPa。
- ◆ 无需调节最小流量，因为最小流量在生产时已经调整。如果在最小流量下不能正常工作，请联系当地经销商解决问题。

燃气接头维修

这些维护操作必须由授权人员进行。

重要：在进行任何维护操作之前，请将灶具与燃气、电源断开。

如果一个燃气接头变硬，你应该按照以下步骤操作：

- ◆ 取下控制旋钮，锅支架，燃烧器，灶具固定螺丝和固定夹。
- ◆ 从操作台上取下灶具，并拆掉底面所有防护罩。
- ◆ 断开连接到面板的固定装置，并将它们拆分开。然后用浸湿了溶剂的布清洁接头及密封圈。
- ◆ 用高温油脂轻轻涂抹接头，重新组装到位，旋转几次。
- ◆ 再次取出接头，清除任何多余的油脂，确保气管没有被油脂堵塞。

小心地重新组装组件，并进行气体泄漏测试。如果有必要更换燃气接头，则应按下列步骤进行：

- ◆ 取下控制旋钮，锅支架，燃烧器，灶具固定螺丝和固定夹。
- ◆ 从操作台上取下灶具，并拆掉底面任何防护罩。
- ◆ 断开连接到面板的固定装置，并将它们拆分开。
- ◆ 从燃气接头上拧掉气管，然后从燃气管处取下固定螺丝来拆分。
- ◆ 安装新接头时，确保使用了新的密封圈。

重新连接燃气接头，并进行气体泄漏测试，然后重新组装好灶具。

灶具不能正常工作



切勿尝试自己修理本灶具。

- ◆ 请注意，如果在产品保修期间要求工程师到场，并且发现问题不是由灶具故障造成的，那么您可能要承担相应费用。
- ◆ 本灶具必须便于工程师进行任何必要的维修。如果灶具的安装方式让工程师担心会对灶具或厨房造成损坏，那么他就不会完成维修。
- ◆ 请参照灶具附有的保修卡上的保修条件。

重要：杭州老板电器股份有限公司执行持续改进政策，并保留在不事先通知的情况下调整和修改其产品的权利。

使用方法

第一次使用前



您应当清洁灶具表面（参见“清洁维护注意事项”章节）。

在旋钮旁边的面板上会标有以下符号：

- :燃气关闭
- ★ :点火位置
- 🔥 :大火
- 🔥 :小火



图1



图2

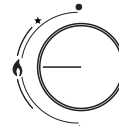


图3

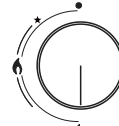


图4

- ◆小火在旋钮逆时针旋转的末端。
- ◆所有操作位置必须在大火和小火之间选择。
- ◆不要在大火和关闭位置之间调节旋钮。
- ◆面板上，旋钮旁边的符号将指示所操作的灶具燃烧器的状态。本灶具带安全自动熄火保护装置，已装在每个燃烧器上。

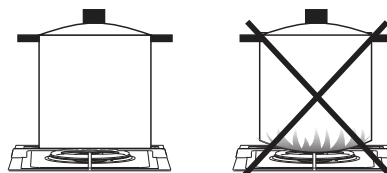
点燃燃烧器：

- ◆检查燃烧器的盖，中心或其他部件的定位是否正确，并确认旋钮（图1）的位置。
- ◆如果您将旋钮按下，燃烧器的自动点火就会工作。
- ◆点火：按下旋钮，然后逆时针旋转90度，便会设定为大火。在燃烧器上的火焰点燃后，您应当按住旋钮15秒。如果15秒后燃烧器仍未点燃，请停止操作，打开橱柜门，等待至少1分钟，然后再次点燃燃烧器。
- ◆在15秒间隔后，要调节火焰，您应当继续逆时针旋转旋钮，直到火焰达到合适的水平。操作位置必须在大火（图2）和小火位置（图3）之间。
- ◆要关闭燃烧器，请将旋钮顺时针旋转到关闭燃气的位置。
- ◆在停电的情况下，可以小心地用火柴点燃燃烧器。
- ◆熄灭：当旋钮转到（图1）位置时，燃烧器熄灭。
- ◆低温下灶具的使用方法与常温下相同。

节能建议

燃烧器	锅尺寸	
	ømin	ømax
大	260 mm	280 mm
中	220 mm	240 mm
小	160 mm	200 mm
微小	120 mm	140 mm

- ◆锅底的直径应与燃烧器适用的直径一致。



- ◆燃烧器火焰绝不能超出锅的直径。
- ◆如果可能的话，烹饪的时候把锅盖盖上。
- ◆用尽可能少的水烹饪蔬菜，以减少烹饪时间。

重要：始终将锅放在灶具燃烧器的中央，并将其放置在正确的位置，您还应当确保手柄没有越过灶具的另一个燃烧器火焰。

联动功能

开机状态下长按“灯光+风量滑触条最左”键  2秒（启动连接配对），

蜂鸣器单音鸣叫1声，进入配对模式，灯光键和左侧风滑触条第一格图标慢闪，1次/S，设备连接成功后，图标常亮3秒后灭。3分钟内无连接设备，或配对失败，图标灭，结束配对流程。

在配对过程中或连接成功后，如果长按“灯光+风量滑触条最左”键，
取消配对或者断开连接。



当配对成功后，此时灶具点火，若油烟机未开启风量或者风量小于强档时，则油烟机联动开启强档风量；灶具关火（所有炉头均关火）：油烟机若有风量则油烟机联动进入当前风量状态下的1分钟延迟关机状态，1分钟无操作油烟机进入关机状态；油烟机若烟机无风量则进入关机状态。

注：

- ◆ 烟机必须在开机状态下才可启动联动功能，烟灶才可配合使用。
- ◆ 如连接不成功，请拔掉电源5分钟后重新开机配对或联系售后服务。

清洁维护注意事项

清洁



清洁操作必须在灶具冷却后进行。在开始任何清洁过程之前，应该先断开本灶具的电源。

- ◆灶具应定期进行清洁，建议每12个月全面检查一次。
- ◆在尝试清扫本灶具之前，应该断开电源并冷却。
- ◆在使用本灶具时，应当遵循清洁程序，并且应格外小心。
- ◆您不应该使用蒸汽或任何其他高压清扫设备来清洁本灶具。

每次使用后

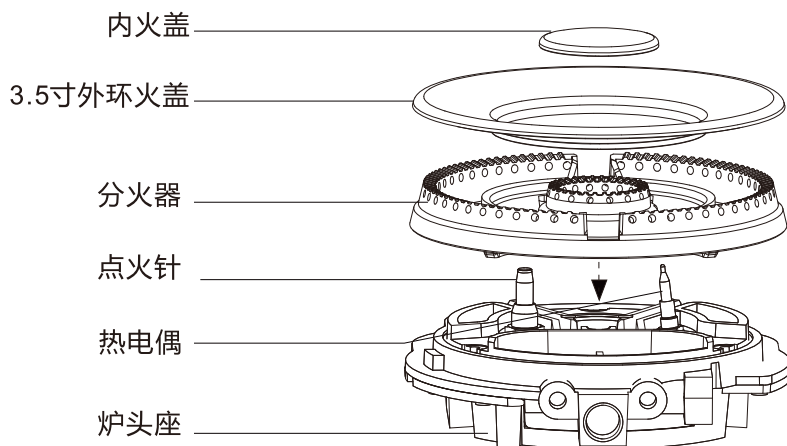
- ◆取下锅架，用中性洗涤剂浸湿的柔软湿抹布擦拭本灶具。抹布从肥皂水中取出后拧干。
- ◆用柔软干净的抹布擦干本灶具表面，使其干燥。
- ◆我们建议在本灶具的不锈钢表面定期使用适当的不锈钢清洁剂和抛光剂。

清洁灶具顶部

- ◆任何残留在灶具顶部表面的清洗剂将损坏产品。应该用温肥皂水除去任何残留物。
- ◆研磨清洁剂或锋利的物体会损坏灶具表面，你应该用温肥皂水清洗。
- ◆虽然在灶具表面仍然是热的时候，清理一些沉淀物会更容易。但是，在接触灶具表面、锅架和灶具燃烧器之前，请确保它们都已充分冷却。

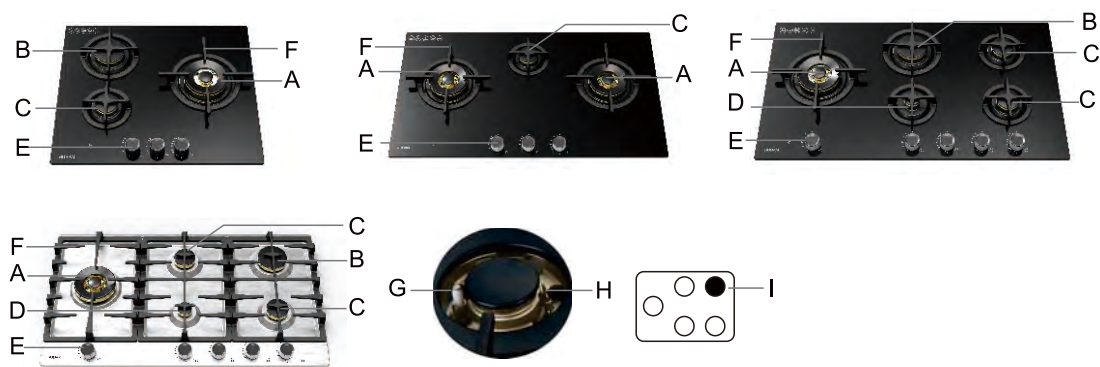
清洁灶具燃烧器

- ◆灶具燃烧器应每周清洁一次，如果弄脏了，应更频繁地清洁。
 - ◆从灶具顶部向上拉出灶具燃烧器，以取下灶具燃烧器。
 - ◆用热水和少许中性洗涤剂浸泡10分钟左右。
 - ◆清洁干净后，仔细擦干。
 - ◆在将燃烧器放回灶具顶部之前，确保燃气喷嘴没有被堵塞。
 - ◆**重要：**一定要按原来的方式重新组装燃烧器。
- 在尝试触摸之前，应当确保灶具表面、锅架和灶具燃烧器已经冷却。



(图片仅供参考，具体以实物为准)

1. 表面维护：请用中性洗涤剂清洁灶具表面，然后用干布擦拭。不要用钢丝刷或其他坚硬物体清洁表面。
2. 为了保证灶具的正常运行和良好的燃烧状态，必须定期使用刷子和钢针来疏通出火孔（槽），清除燃烧器上的污物，避免出火孔（槽）被堵塞引起回火，导致灶具损坏，不要用水清洗出火孔（槽）。
3. 定期检查火盖及其座是否移位或偏离，并进行相应的纠正（将其放在合适的位置），以避免事故的发生。



- | | | |
|--------|---------|-------------|
| A、大燃烧器 | D、微小燃烧器 | G、电极针 |
| B、中燃烧器 | E、旋钮 | H、热电偶 |
| C、小燃烧器 | F、锅架 | I、旋钮控制对应的炉头 |

(图片仅供参考，具体以实物为准)

- ◆**重要**：为了保证锅的稳定性和安全性，请不要在大燃烧器上使用尺寸小于 100mm 的锅，并且在使用尺寸为 100 mm 的锅烹饪时，必须先将辅助锅架放在锅架上。
- ◆**警告**：辅助锅架只能用在在大燃烧器上。

常见故障及处理方法

故障	原因	处理方法
点火不灵	气源开关未打开	关闭灶具旋钮开关，打开气源阀门
	燃气管路中混有空气	反复点火，排尽管路内的空气
	软管曲折、堵塞或压扁	拉直、疏通或更换管
	电极针瓷头脏污	清洁瓷头
	电极针与接受端之间的距离不当	将电极针与接受端之间的距离调整至4mm左右
燃气点着火 松手后又熄灭	炉头火盖和燃烧器未放到位	炉头火盖和燃烧器必须放置到位
	旋钮未按压到底	点火后，按住旋钮开关秒3~5（压到底）后松开
燃气泄漏 (有燃气臭味)	旋钮开关未关好	关好旋钮开关
	软管未接好或有裂纹	接好软管或更换软管
燃烧不正常 或有噪音	燃烧器或出火孔堵塞	消除堵塞物
	使用的气源与标注的气源不符	更换喷嘴
	燃气压力不稳定，软管中有水	清除软管中的水

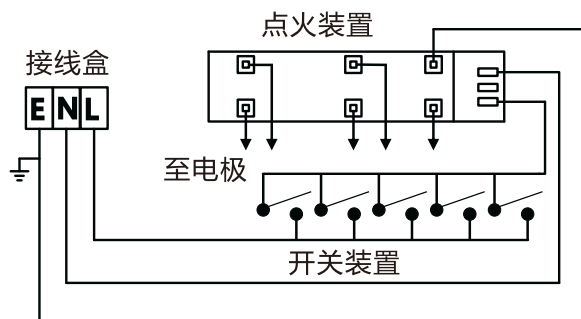
附件

附件名称	数量
说明书	1
稳压阀	1

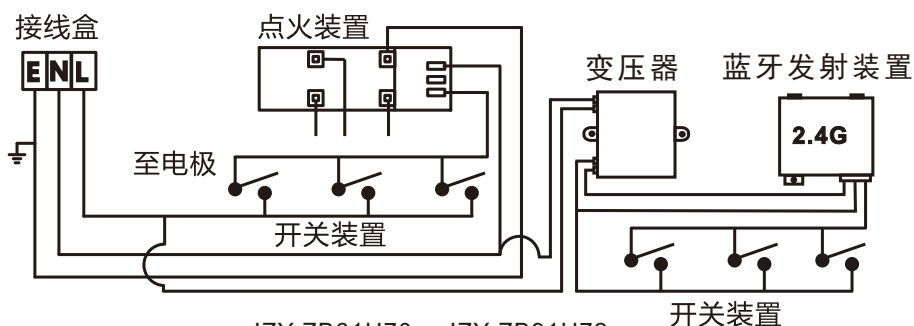


稳压阀

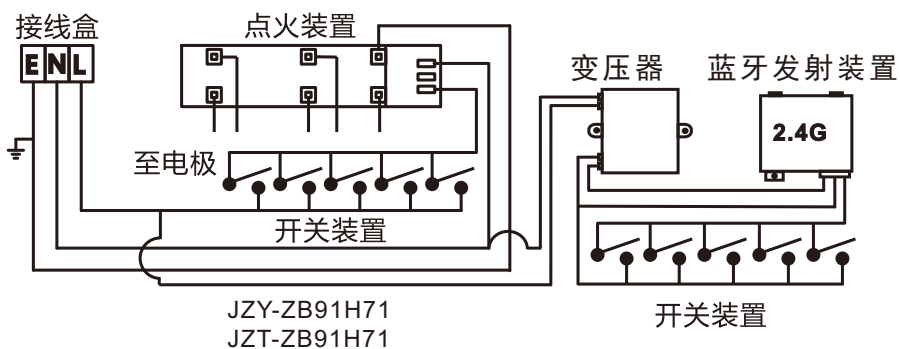
电气原理图



JZY-ZG81H60
JZT-ZG81H60



JZY-ZB61H70 JZY-ZB91H72
JZT-ZB61H70 JZT-ZB91H72



JZY-ZB91H71
JZT-ZB91H71

注意：本灶具安装之后，应该能够接近电源连接点。

气源转换

警告：燃气类型和/或喷嘴的转换必须由有资质的人员进行。

- ◆ 拿掉锅架、燃烧器盖、分火器和旋钮;
- ◆ 使用 T 型扳手替换喷嘴 “J” (图:5.4-5.5)。

燃烧器的设计不需要调节一次空气。

调节燃烧器最小流量设置

当从一种燃气切换到另一种燃气时，最小流量也需要是正确的：即使突然从大火变为小火，也不应该熄灭。

要调节火焰，请遵循以下说明：

- ◆ 点燃燃烧器
- ◆ 气阀调到最小值

总成中心处的气阀上配备调节螺钉 (图5.6)。使用最大直径为 3 mm 的螺丝刀将螺钉旋转，直到正确位置。

进气压力应用压力计检查。天然气的压力应当达到1.0kPa，而液化石油气的压力应当达到2.75kPa(见19页)。

安装工根据燃气类型和铭牌将压力调节器调整到相应的压力。

有资质人员包括如有执照的供暖维修人员、有执照的燃气公司人员和有执照的售后服务人员。如可能会导致死亡、爆炸或火灾。

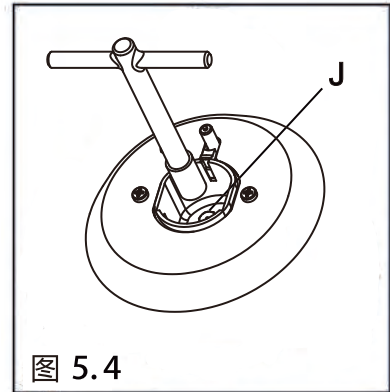


图 5.4

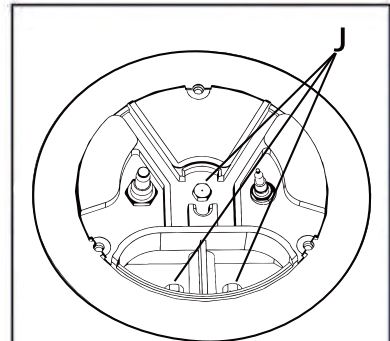


图 5.5

所需工具

- A、T形扳手
- B、扳手
- C、螺丝刀

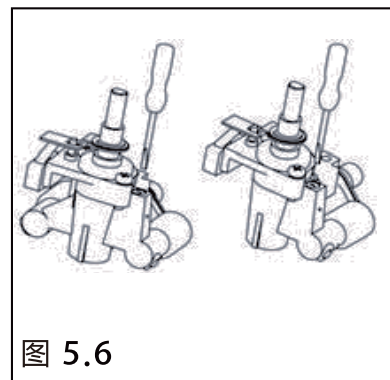


图 5.6

电气连接

警告!



触电危险

插入接地的三插脚插座。
不要拆卸接地插脚。
不要使用适配器。
不遵守这些指示可能导致死亡、火灾或触电。

如果规范允许且使用了单独的地线，建议由有资质的电工确定接地线路是否合理。如果您不确定灶具是否正确接地，请向有资质的电工咨询。不要通过燃气管接地。

插座必须经过有资质的电工的检查，查看其接线极性是否正确。

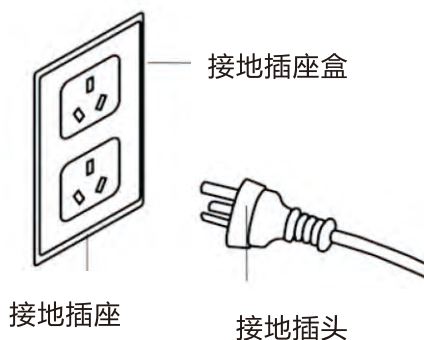
本灶具安装时，必须按照当地规范接地。

推荐的接地方法

为了您的人身安全，本灶具必须接地。本灶具配有一个三插脚接地插头。为了将可能发生的触电危险降到最低，必须将电源线插入与之匹配的三插脚接地式插座中，并根据当地规范和有关条例接地。如果没有配套的插座，用户需要请有资质的电工安装正确极化和接地的三插脚插座，这是用户的个人责任和义务。

警告
非常重要

在进行任何维护操作之前，
请将本灶具从主电源上断开。



售后服务

如有无法轻松修复的故障，请与当地代理商联系。

请在联系时注明您的灶具型号和序列号。

条形码:

贴随机提供的额外铭牌和条形码处。确保型号与使用说明书背面的型号相同。

版本: A/5
Edition: A/5

发布日期: 2022年10月10日
Publication Date: October, 10, 2022

ROBAM

杭州老板电器股份有限公司
浙江省余杭经济开发区临平大道592号

HANGZHOU ROBAM APPLIANCES CO., LTD.
Address: No.592, Linping Av., Yuhang Economic Development Zone, Yuhang District,
311100, Hangzhou City, Zhejiang Province P.R. China